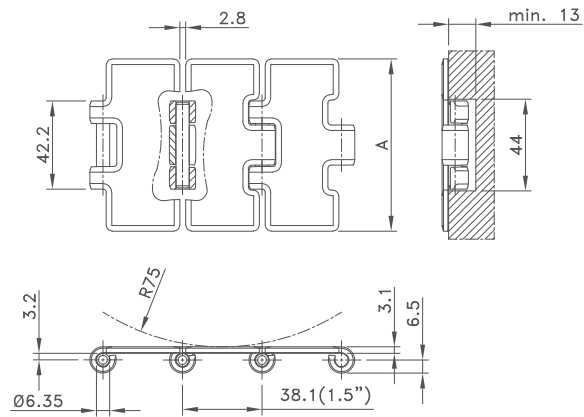


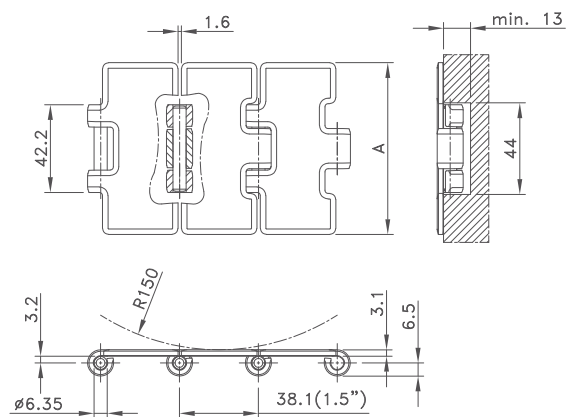
Straight Run Single Hinge



Chain Type	Code Number	Plate Width A		Weight kg/m	Surface Flatness (max.) mm	Polished Hinge Eyes	Working Load (max.) N
		mm	inch				
10-Series							
10 S 31	762.10.31	82.5	3.25	2.55	0.10	no	4950
10 S 31 S	762.12.31	82.5	3.25	2.55	0.10	yes	
Ferritic Stainless Steel							
SS 812-K325	10.001.11.11	82.5	3.25	2.55	0.18	no	4950

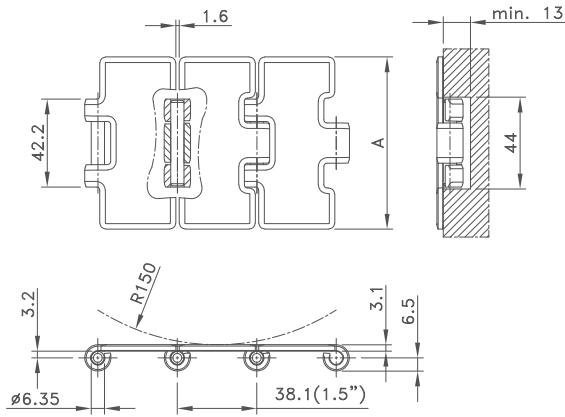
Standard length: 3.048 m - 10 feet (80 links)

Straight Run Single Hinge Max-Line



Chain Type	Code Number	Plate Width A		Weight kg/m	Surface Flatness (max.) mm	Polished Hinge Eyes	Working Load (max.) N
		mm	inch				
10-Series							
10 S 31 M	762.13.31	82.5	3.25	2.61	0.18	no	4950
10 S 42 M	762.13.42	114.3	4.50	3.28	0.25	no	
10 S 72 M	762.13.72	190.5	7.50	4.99	0.60	no	
60-Series							
60 S 22 SM	762.69.22	63.5	2.50	2.14	0.10	yes	6000
60 S 25 M	762.53.25	66.7	2.63	2.27	0.18	no	
60 S 23 M	762.53.23	69.9	2.75	2.34	0.18	no	
60 S 30 M	762.53.30	76.2	3.00	2.43	0.18	no	
60 S 31 M	762.53.31	82.5	3.25	2.61	0.18	no	
60 S 31 XM	762.69.31	82.5	3.25	2.61	0.08	yes	
60 S 84 XM	762.69.84	84.0	3.30	2.63	0.08	yes	
60 S 32 M	762.53.32	88.9	3.50	2.71	0.18	no	
60 S 32 SM	762.69.32	88.9	3.50	2.71	0.10	yes	
60 S 40 M	762.53.40	101.6	4.00	3.17	0.25	no	
60 S 42 M	762.53.42	114.3	4.50	3.28	0.25	no	
60 S 60 M	762.53.60	152.4	6.00	4.14	0.40	no	
60 S 72 M	762.53.72	190.5	7.50	4.99	0.60	no	

Straight Run Single Hinge Max-Line (continued)



Chain Type	Code Number	Plate Width		Weight	Surface Flatness (max.)	Polished Hinge Eyes	Working Load (max.)
		A					
		mm	inch				
60-Series HB							
60 S 31 XM HB	762.69.15	82.5	3.25	2.50	0.08	yes	6000
60 S 84 XM HB	762.69.14	83,8	3.30	2.52	0.08	yes	
66-Series XHB							
66 S 31 XM XHB	762.09.31	82.5	3.25	2.61	0.08	yes	6000
66 S 84 XM XHB	762.09.84	84.0	3.30	2.63	0.08	yes	
66 S 72 M XHB	762.03.72	190.5	7.50	4.99	0.60	no	
Opti-Plus							
SSC 812-K250	10.006.21.05	63.5	2.50	2.14	0.18	no	6000
SSC 812-K263	10.006.21.08	66.7	2.63	2.27	0.18	no	
SSC 812-K300	10.006.21.10	76.2	3.00	2.43	0.18	no	
SSC 812-K325	10.006.21.11	82.5	3.25	2.61	0.18	no	
SSC 812-K330	10.006.21.20	84.0	3.30	2.63	0.18	no	
SSC 812-K350	10.006.21.12	88.9	3.50	2.71	0.18	no	
SSC 812-K400	10.006.21.13	101.6	4.00	3.17	0.25	no	
SSC 812-K450	10.006.21.14	114.3	4.50	3.28	0.25	no	
SSC 812-K600	10.006.21.15	152.4	6.00	4.14	0.40	no	
SSC 812-K750	10.006.21.16	190.5	7.50	4.99	0.60	no	
Carbon Steel							
S 815-K225	762.93.21	57.2	2.25	2.12	0.40	no	8350
S 815-K250	762.93.22	63.5	2.50	2.14	0.40	no	
S 815-K263	762.93.25	66.7	2.63	2.27	0.40	no	
S 815-K325	762.93.31	82.5	3.25	2.61	0.40	no	
S 815-K400	762.93.40	101.6	4.00	3.17	0.50	no	
S 815-K450	762.93.42	114.3	4.50	3.28	0.60	no	
S 815-K600	762.93.60	152.4	6.00	4.14	0.80	no	
S 815-K750	762.93.72	190.5	7.50	4.99	0.90	no	
Austenitic Chrome Nickel							
SS 815-K225	762.33.21	57.2	2.25	2.12	0.18	no	3500
SS 815-K250	762.33.22	63.5	2.50	2.14	0.18	no	
SS 815-K263	762.33.25	66.7	2.63	2.27	0.18	no	
SS 815-K325	762.33.31	82.5	3.25	2.61	0.18	no	
SS 815-K350	762.33.32	88.9	3.50	2.71	0.18	no	
SS 815-K400	762.33.40	101.6	4.00	3.17	0.25	no	
SS 815-K450	762.33.42	114.3	4.50	3.28	0.25	no	
SS 815-K600	762.33.60	152.4	6.00	4.14	0.40	no	
SS 815-K750	762.33.72	190.5	7.50	4.99	0.60	no	
Austenitic Stainless Steel							
SSB 815-K325	10.006.84.11	82.5	3.25	2.61	0.18	no	2900
SSB 815-K450	10.006.84.14	114.3	4.50	3.28	0.25	no	
SSB 815-K600	10.006.84.15	152.4	6.00	4.14	0.40	no	
SSB 815-K750	10.006.84.16	190.5	7.50	4.99	0.60	no	

Standard length: 3.048 m - 10 feet (80 links)

Note: SSB 815 chains have a plate thickness of 3.0 mm instead of 3.1 mm.