

# Pillow block type bearing units

## UCP/C - HCP/C



### Waterproof housing

### Grub screws or eccentric collar shaft locking

### PA FV polyamide housing

High mechanical and heat resistance. Proof to dust, humidity, washouts, steam, average aggressive chemical agents.

### PP FV polypropylene housing

Proof to highly aggressive chemical agents. Inferior loading ability.

### Material

#### PA FV polyamide housing

- Housing in reinforced polyamide PA FV resin (black)
- Protection cover in polypropylene PP (orange)
- Seal and O-Ring in NBR rubber (black)
- Ball type nickel plated brass greasing nipple
- Reinforcing bushings on mounting holes and washers in stainless steel AISI 304
- Stainless steel AISI 303 safety ring.

#### PP FV polypropylene housing

- Housing in reinforced polypropylene PP FV resin (white)
- Protection cover in polypropylene PP (orange)
- Seal and O-Ring in NBR rubber (black).  
On request supplied in Viton rubber (brown).  
Viton material offers high resistance to chemical agents
- Ball type stainless steel AISI 316 greasing nipple
- Reinforcing bushings on mounting holes and washers in stainless steel AISI 316
- Stainless steel AISI 303 safety ring.

### Continuous operating temperature

in air: - 20 to + 60°C.

### Maximum allowed misalignment: 2°.

### Bearing



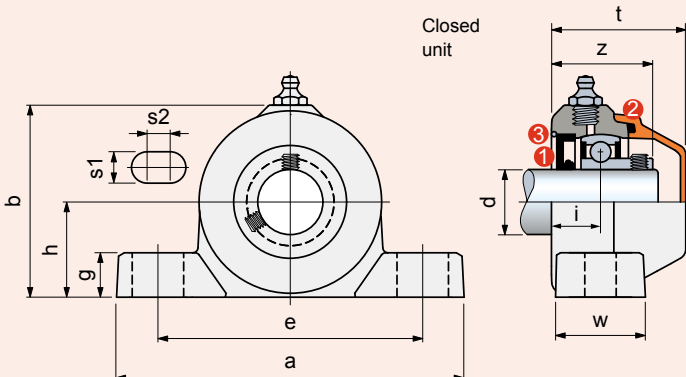
- Type A (grub screws shaft locking)
- Type D (eccentric collar shaft locking)
- Chrome alloy steel
- Superagriseal unit
- Prelubricated with lithium / calcium grease
- Can be relubricated.

### Spare parts for all bearings

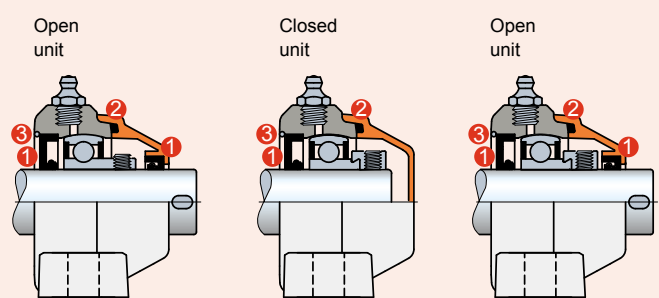


dia. d mm	Code
<b>Safety ring</b>	
20	600982
25	646281
30	646291
35	646301
40	601052

### • Series UCP/C • Type A Grub screws shaft locking



### • Series HCP/C • Type D Eccentric collar shaft locking



- 1 Seal.
- 2 O-Ring.
- 3 Safety ring.

dia. d mm	Series	Housing material		Dimensions in mm												Bearing	Weight Kg	Spare parts Cover orange
		Polyamide PA FV Flange (black) Cover (orange)	Polypropylene PP FV Flange (white) Cover (orange)															Code
		Code		e	a	h	b	s1	s2	g	w	i	z	t				
<b>Grub screws shaft locking • Closed unit</b>																		
20	UCP 204 C	682941	678352	96	128	33,3	67	12	10	17	30	18,9	36,9	49,7	Type A	0,27	681942	
25	UCP 205 C	646511	678362	106	140	36,5	75	12	10	17	34,5	18,8	38,3	51,5	Type A	0,33	681952	
30	UCP 206 C	646531	678372	121	163	42,9	88	14	10	20	36	19,7	41,7	55	Type A	0,49	63154	
35	UCP 207 C	646551	678382	126	167	47,6	98	14	10	20	38,6	21,3	44,8	61	Type A	0,64	682022	
40	UCP 208 C	683041	678392	136	185	50	102	14	10	20	38,6	25	50	66,5	Type A	0,84	63539	
<b>Grub screws shaft locking • Open unit</b>																		
20	UCP 204 C	682931	678402	96	128	33,3	67	12	10	17	30	18,9	36,9	49,7	Type A	0,27	681962	
25	UCP 205 C	646521	678412	106	140	36,5	75	12	10	17	34,5	18,8	38,3	51,5	Type A	0,33	681972	
30	UCP 206 C	646541	678422	121	163	42,9	88	14	10	20	36	19,7	41,7	55	Type A	0,49	69965	
35	UCP 207 C	646561	678432	126	167	47,6	98	14	10	20	38,6	21,3	44,8	61	Type A	0,64	682032	
40	UCP 208 C	683031	678442	136	185	50	102	14	10	20	38,6	25	50	66,5	Type A	0,84	63549	
<b>Eccentric collar shaft locking • Closed unit</b>																		
20	HCP 204 C	677952	678452	96	128	33,3	67	12	10	17	30	18,9	42,3	52	Type D	0,32	681942	
25	HCP 205 C	677962	678462	106	140	36,5	75	12	10	17	34,5	18,8	42,2	51,5	Type D	0,37	681952	
30	HCP 206 C	677972	678472	121	163	42,9	88	14	10	20	36	19,7	46,4	55	Type D	0,56	63154	
35	HCP 207 C	677982	678482	126	167	47,6	98	14	10	20	38,6	21,3	50,7	61	Type D	0,82	682022	
40	HCP 208 C	677992	678492	136	185	50	102	14	10	20	38,6	25	57,7	72	Type D	1,03	600882	
<b>Eccentric collar shaft locking • Open unit</b>																		
20	HCP 204 C	678002	678502	96	128	33,3	67	12	10	17	30	18,9	42,3	52	Type D	0,32	681962	
25	HCP 205 C	678012	678512	106	140	36,5	75	12	10	17	34,5	18,8	42,2	51,5	Type D	0,37	681972	
30	HCP 206 C	678022	678522	121	163	42,9	88	14	10	20	36	19,7	46,4	55	Type D	0,56	69965	
35	HCP 207 C	678032	678532	126	167	47,6	98	14	10	20	38,6	21,3	50,7	61	Type D	0,82	682032	
40	HCP 208 C	678042	678542	136	185	50	102	14	10	20	38,6	25	57,7	72	Type D	1,03	600892	

**Item code for order = B0000 + Code**

Packaging: 6 pieces.

# Pillow block type bearing units

## UCP - HCP



Accessories

### Material

#### PA FV polyamide housing

- Housing in reinforced polyamide PA FV resin (black)
- Ball type nickel plated brass greasing nipple
- Reinforcing bushings on mounting holes and washers in stainless steel AISI 304.

#### PP FV polypropylene housing

- Housing in reinforced polypropylene PP FV resin (white)
- Ball type stainless steel AISI 316 greasing nipple
- Reinforcing bushings on mounting holes and washers in stainless steel AISI 316.

### Continuous operating temperature

in air: - 20 to + 60°C.

### Maximum allowed misalignment: 2°.

### Bearing

- Type B (grub screws shaft locking, chrome alloy steel, Superagriseal unit plus centrifuging ring)
- Type C (grub screws shaft locking, stainless steel AISI 420, Superagriseal unit plus rubberised centrifuging ring)
- Type A (grub screws shaft locking, chrome alloy steel, Superagriseal unit)
- Type D (eccentric collar shaft locking, chrome alloy steel, Superagriseal unit)
- Prelubricated with lithium / calcium grease
- Can be relubricated.

### Grub screws or eccentric collar shaft locking

#### Version with bearing Type B

The double ring guarantees maximum protection against dust and non-corrosive substances.

#### Version with stainless steel bearing Type C

AISI 420 stainless steel bearing with 2 rubberised rings, provides excellent seal against humidity, steams, liquids, medium corrosive chemical agents. Maximum load ability is inferior.

#### Version with bearing Type A

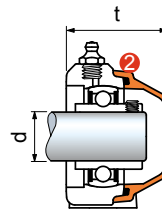
The rubberised ring guarantees maximum protection against dusts.

### Material

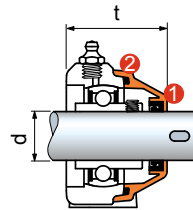
Polyamide PA FV guarantees maximum strength and high-temperature resistance. Polypropylene PP FV offers excellent resistance to chemical agents but inferior load ability.

### Protection covers (accessories)

#### Closed cover



#### Open cover



- ① Seals.
- ② Seals O-Ring.

dia. d mm	Accessories Cover orange	t mm	
	Code	UCFL	HCFL
<b>Closed cover supplied with seals</b>			
20	681942	49,7	52
25	681952	51,5	51,5
30	63154	55	55
35	682022	61	61
40 <sup>1)</sup>	63539	66,5	-
40 <sup>2)</sup>	600882	-	72
<b>Open cover supplied with seals</b>			
20	681962	49,7	52
25	681972	51,5	51,5
30	69965	55	55
35	682032	61	61
40 <sup>1)</sup>	63549	66,5	-
40 <sup>2)</sup>	600892	-	72

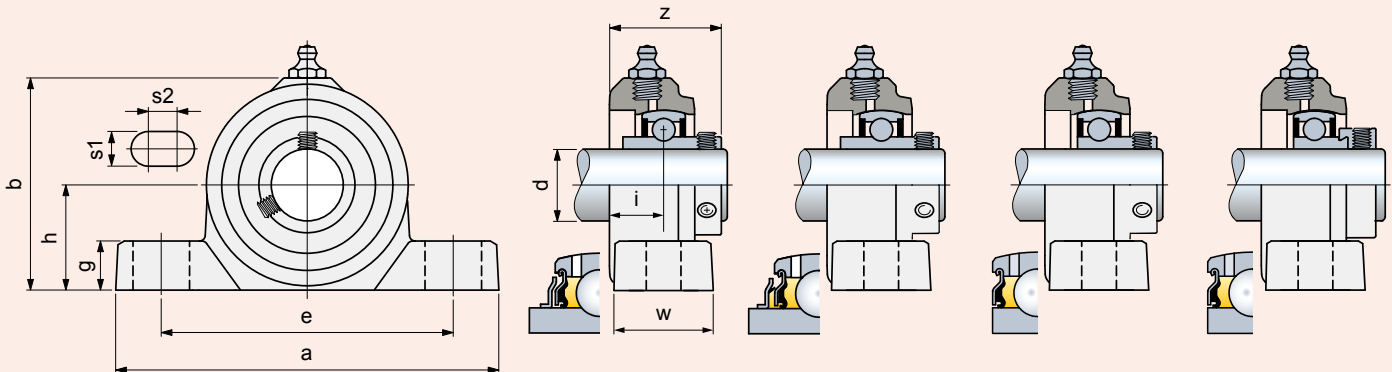
- <sup>1)</sup> = Protection cover for bearing unit with grub screws shaft locking.
- <sup>2)</sup> = Protection cover for bearing unit with eccentric collar shaft locking.

#### • Series UCP • Type B Grub screws shaft locking

#### • Series UCP • Type C Grub screws shaft locking

#### • Series UCP • Type A Grub screws shaft locking

#### • Series HCP • Type D Eccentric collar shaft locking



dia. d mm	Series	Housing material		Dimensions in mm										Bearing	Weight Kg
		Polyamide PA FV Flange (black) <b>Code</b>	Polypropylene PP FV Flange (white)	e	a	h	b	s1	s2	g	w	i	z		
<b>Grub screws shaft locking • Version with bearing Type B</b>															
20	UCP 204	<b>682921</b>	-	96	128	33,3	67	12	10	17	30	18,9	37,2	Type B	0,27
25	UCP 205	<b>648781</b>	-	106	140	36,5	75	12	10	17	34,5	18,8	38,5	Type B	0,33
30	UCP 206	<b>648791</b>	-	121	163	42,9	88	14	10	20	36	19,7	41,9	Type B	0,49
35	UCP 207	<b>648801</b>	-	126	167	47,6	98	14	10	20	38,6	21,3	46,7	Type B	0,64
40	UCP 208	<b>683021</b>	-	136	185	50	102	14	10	20	38,6	25	55,2	Type B	0,84
<b>Grub screws shaft locking • Version with stainless steel bearing Type C</b>															
20	UCP 204	<b>646492</b>	<b>679002</b>	96	128	33,3	67	12	10	17	30	18,9	37,2	Type C	0,27
25	UCP 205	<b>646502</b>	<b>679012</b>	106	140	36,5	75	12	10	17	34,5	18,8	38,6	Type C	0,33
30	UCP 206	<b>646512</b>	<b>679022</b>	121	163	42,9	88	14	10	20	36	19,7	41,9	Type C	0,49
35	UCP 207	<b>646522</b>	<b>679032</b>	126	167	47,6	98	14	10	20	38,6	21,3	46,7	Type C	0,64
40	UCP 208	<b>646532</b>	<b>679042</b>	136	185	50	102	14	10	20	38,6	25	55,2	Type C	0,84
<b>Grub screws shaft locking • Version with bearing Type A</b>															
20	UCP 204	<b>678552</b>	<b>678852</b>	96	128	33,3	67	12	10	17	30	18,9	36,9	Type A	0,24
25	UCP 205	<b>678562</b>	<b>678862</b>	106	140	36,5	75	12	10	17	34,5	18,8	38,3	Type A	0,30
30	UCP 206	<b>678572</b>	<b>678872</b>	121	163	42,9	88	14	10	20	36	19,7	41,7	Type A	0,44
35	UCP 207	<b>678582</b>	<b>678882</b>	126	167	47,6	98	14	10	20	38,6	21,3	44,8	Type A	0,54
40	UCP 208	<b>678592</b>	<b>678892</b>	136	185	50	102	14	10	20	38,6	25	50	Type A	0,72
<b>Eccentric collar shaft locking • Version with bearing Type D</b>															
20	HCP 204	<b>678602</b>	<b>678902</b>	96	128	33,3	67	12	10	17	30	18,9	42,3	Type D	0,29
25	HCP 205	<b>678612</b>	<b>678912</b>	106	140	36,5	75	12	10	17	34,5	18,8	42,2	Type D	0,34
30	HCP 206	<b>678622</b>	<b>678922</b>	121	163	42,9	88	14	10	20	36	19,7	46,4	Type D	0,51
35	HCP 207	<b>678632</b>	<b>678932</b>	126	167	47,6	98	14	10	20	38,6	21,3	50,7	Type D	0,72
40	HCP 208	<b>678642</b>	<b>678942</b>	136	185	50	102	14	10	20	38,6	25	57,7	Type D	0,91

**Item code for order = B0000 + Code**

Packaging: 6 pieces.