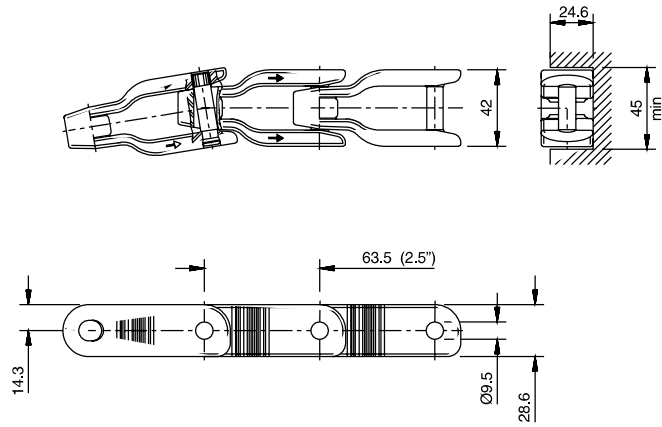


Straight Run without TABS

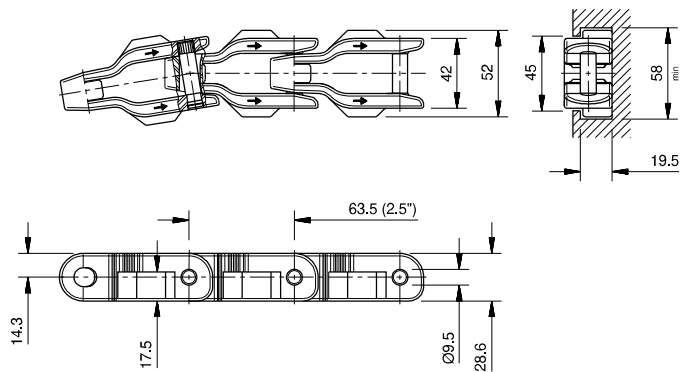


Chain Type	Code Number	Link Width		Weight	Working Load (max.)	Backflex Radius (min)	Sideflex Radius (min)
		A					
		mm	inch	kg/m	N (21°C)	mm	mm
XL-Acetal							
CC 600 XL	752.72.05	42.0	1.66	1.20	3950	50	457
NC-Acetal							
CC 600 NC	752.75.05	42.0	1.66	1.20	3950	50	457
WPP-Polypropylene							
CC 600 WPP	752.77.05*	42.0	1.66	1.00	1975	50	457

Standard length: 3.048 m - 10 feet (48 links).

*Ask customer service for minimum order quantity.

Sideflex with TABS

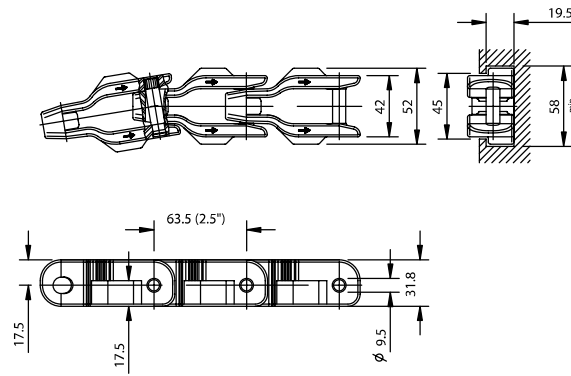


Chain Type	Code Number	Link Width		Weight	Working Load (max.)	Backflex Radius (min)	Sideflex Radius (min)
		A					
		mm	inch	kg/m	N (21°C)	mm	mm
XL-Acetal							
CC 600 TXL	752.72.04	42.0	1.66	1.25	3950	50	457
NC-Acetal							
CC 600 TNC	752.75.04	42.0	1.66	1.25	3950	50	457
WPP-Polypropylene							
CC 600 TWPP	752.77.04*	42.0	1.66	1.03	1975	50	457

Standard length: 3.048 m - 10 feet (48 links).

*Ask customer service for minimum order quantity.

Sideflex with Tabs with Higher Link

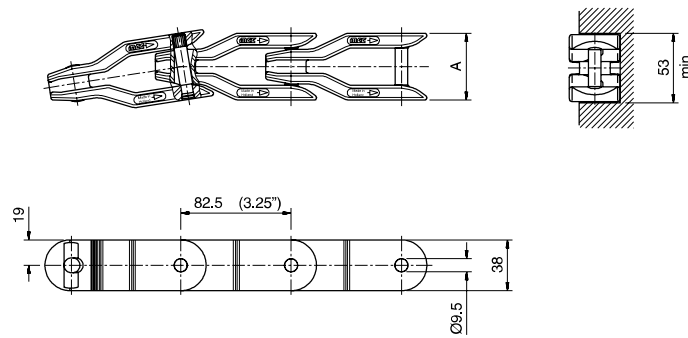


Chain Type	Code Number	Link Width		Weight	Working Load (max.)	Backflex Radius (min)	Sideflex Radius (min)
		A					
		mm	inch	kg/m	N (21°C)	mm	mm
XL-Acetal							
CC 631 TXL	752.42.04	42.0	1.66	1.35	3950	50	457
NC-Acetal							
CC 631 TNC	752.45.04*	42.0	1.66	1.35	3950	50	457

Standard length: 3,048 m - 10 feet (48 links).

*Ask customer service for minimum order quantity.

Straight Run Reinforced without Tabs



Chain Type	Code Number	Link Width		Weight	Working Load (max.)	Backflex Radius (min)	Sideflex Radius (min)
		A					
		mm	inch	kg/m	N (21°C)	mm	mm
XL-Acetal							
CC 1400 XL	752.32.05	50.0	1.97	1.70	6500	50	660
NC-Acetal							
CC 1400 NC	752.35.05	50.0	1.97	1.70	6500	50	660

Standard length: 3.053 m - 10 feet (37 links).