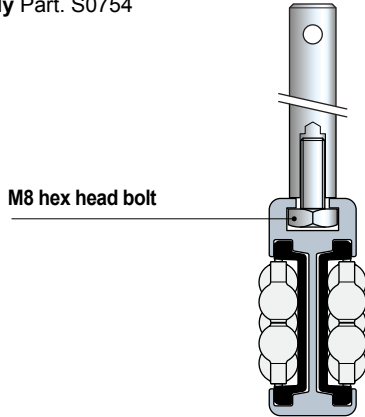


- **Characteristics** Part. S0754
  - Self supporting structure.
  - Anodized aluminium profile.
  - Quick and easy installation by standard bolts.
  - Can be used straight running and sideliflexing.

• **Assembly** Part. S0754

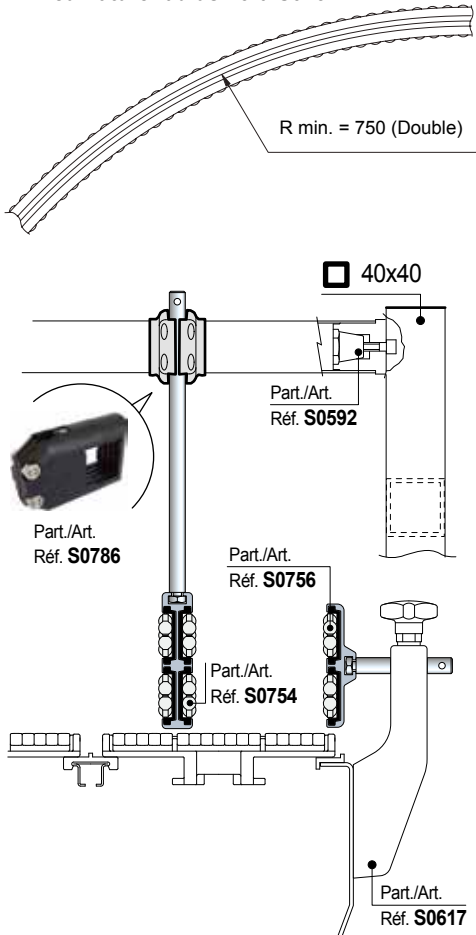


• **Accessories**

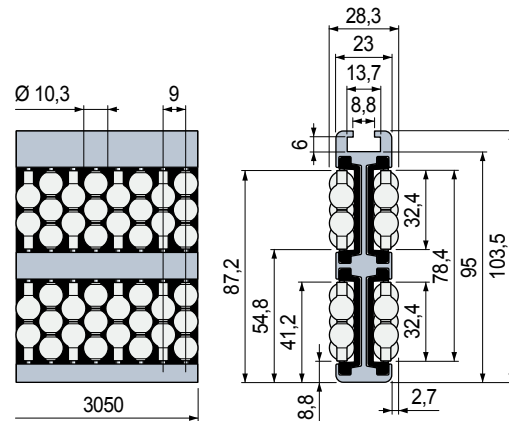
Part. S0369 - Connecting bar



• **Min. curvature radius** Part. S0754



■ **Pearls roller centre guide**



Pearl material	Code	Weight kg
Polyethylene PE (Aubergine)	<b>645183</b>	2,90
Polyethylene PE (white)	<b>645193</b>	

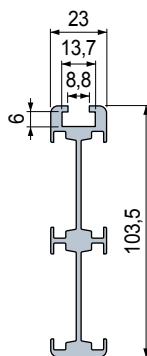
- Material: metal profile in anodized aluminium, rollers module in acetal POM (black), roller pins in stainless steel.
- Standard packaging: strands 3,05 metres.
- Packaging: 2 strands.

## Part. S0754

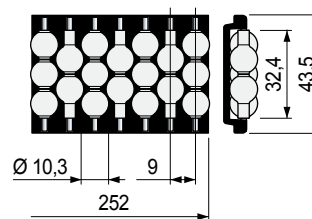


The roller side guides can be supplied with separated components.

**Metal profile**



**Pearls module**



Length mm	Code	Pearl material	Code
3050	<b>607913</b>	Polyethylene PE (Aubergine)	<b>644653</b>
6100	<b>607923</b>	Polyethylene PE (white)	<b>644633</b>

- Material: anodized aluminium.
- Weight: 1,70 Kg/m.
- Packaging: 1 strand.

- **Best Seller**
- **Standard**
- **On request:** minimum quantity may apply. Consult our Customer Service for availability.

Item code for order = Part. + Code