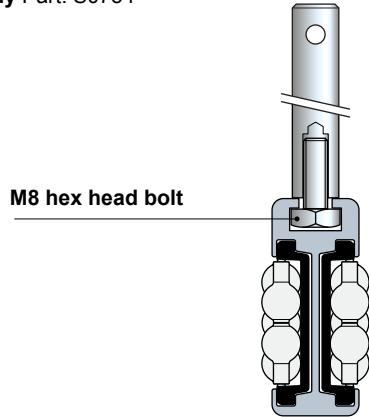


- **Characteristics** Part. S0754
 - Self supporting structure.
 - Anodized aluminium profile.
 - Quick and easy installation by standard bolts.
 - Can be used straight running and sideflexing.

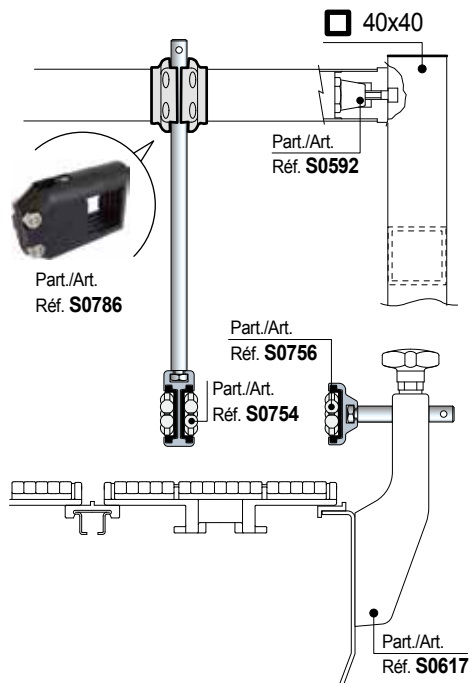
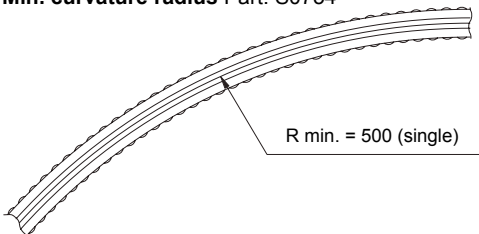
• **Assembly** Part. S0754



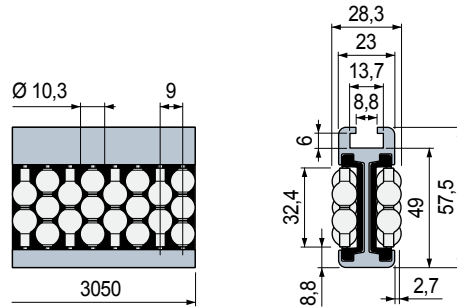
- **Accessories**
Part. S0369 - Connecting bar



• **Min. curvature radius** Part. S0754



■ **Pearls roller centre guide**



Part. S0754



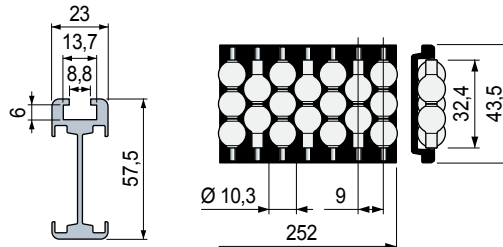
Pearl material	Code	Weight kg
Polyethylene PE (Aubergine)	645163	1,70
Polyethylene PE (white)	645173	

- Material: metal profile in anodized aluminium, rollers module in acetal POM (black), roller pins in stainless steel.
- Standard packaging: strands 3,05 metres.
- Packaging: 2 strands.

The roller side guides can be supplied with separated components.

Metal profile

Pearls module



Length mm	Code	Pearl material	Code
3050	607893	Polyethylene PE (Aubergine)	644653
6100	607903	Polyethylene PE (white)	644633

- Material: anodized aluminium.
- Weight: 1,08 Kg/m.
- Packaging: 1 strand.

- **Best Seller**
- **Standard**
- **On request:** minimum quantity may apply. Consult our Customer Service for availability.

Item code for order = Part. + Code