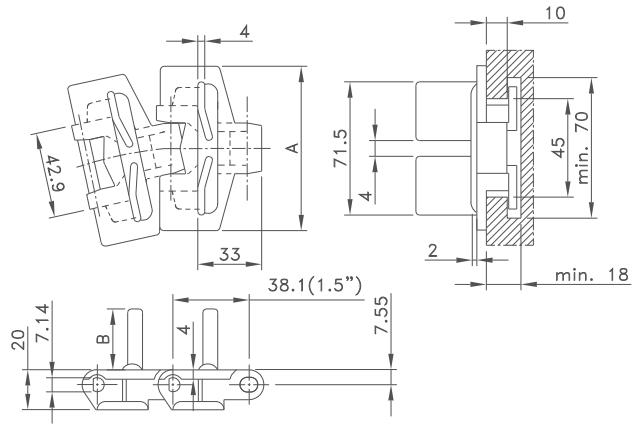


Sideflex Tab With Flights



Chain Type	Code Number	Plate Width A		Weight kg/m	Sideflex Radius (min) mm	Working Load (max.) N (21°C)	Backflex Radius (min) mm	Plate Thickness mm
		mm	inch					
LF-Acetal								
LF 880 TAB BO-K325 F25*	L0880609792	82.5	3.25	0.96	190	1680	40	4.0
LF 880 TAB BO-K325 F39**	L0880698801	82.5	3.25	0.96				

* Height of flight (B) 25 mm

** Height of flight (B) 39 mm

Standard length: 3.048 m - 10 feet (80 links)

As a standard flights on every second link; other patterns are possible.

Minimum order quantity 30.48 m – 100 feet.