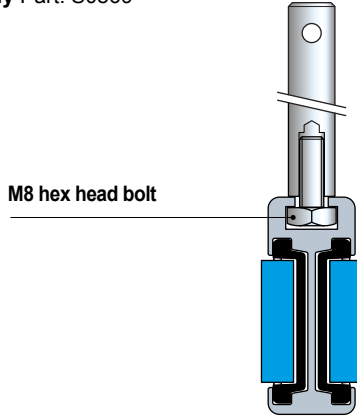


- **Characteristics** Part. S0869
 - Self supporting structure.
 - Anodized aluminium profile.
 - Quick and easy installation by standard bolts.
 - Can be used straight running and sideflexing.

• **Assembly** Part. S0869

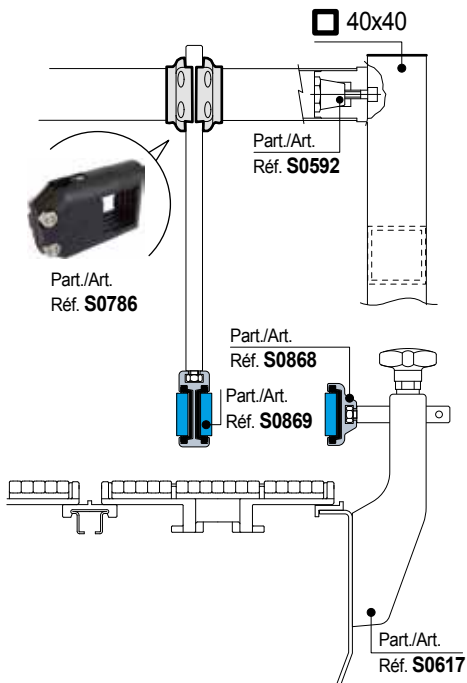
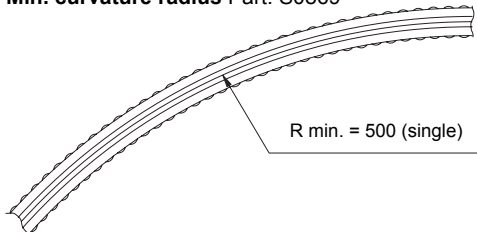


• **Accessories**

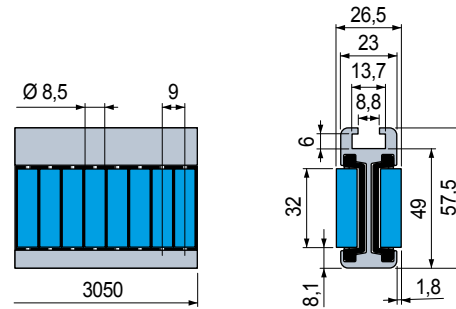
Part. S0369 - Connecting bar



• **Min. curvature radius** Part. S0869



■ **Centre guide with cylinder rollers**



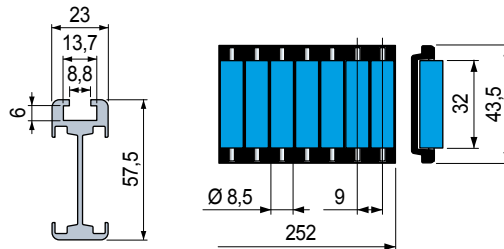
Cylinder rollers material	Code	Weight kg
SEBS rubber (Blue)	647583	1,75

- Material: metal profile in anodized aluminium, rollers module in acetal POM (black), roller pins in stainless steel.
- Standard packaging: strands 3,05 metres.
- Packaging: 2 strands.

The roller side guides can be supplied with separated components.

Metal profile

Cylinder roller module



Length mm	Code	Cylinder rollers material	Code
3050	607893	SEBS rubber (Blue)	646523
6100	607903		

- Material: anodized aluminium.
- Weight: 1,08 Kg/m.
- Packaging: 1 strand.

Part. S0869



- **Best Seller**
- **Standard**
- **On request:** minimum quantity may apply. Consult our Customer Service for availability.

Item code for order = Part. + Code