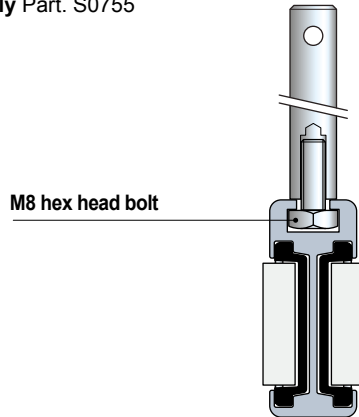


- **Characteristics** Part. S0755
  - Self supporting structure.
  - Anodized aluminium profile.
  - Quick and easy installation by standard bolts.
  - Can be used straight running and sideliflexing.

• **Assembly** Part. S0755

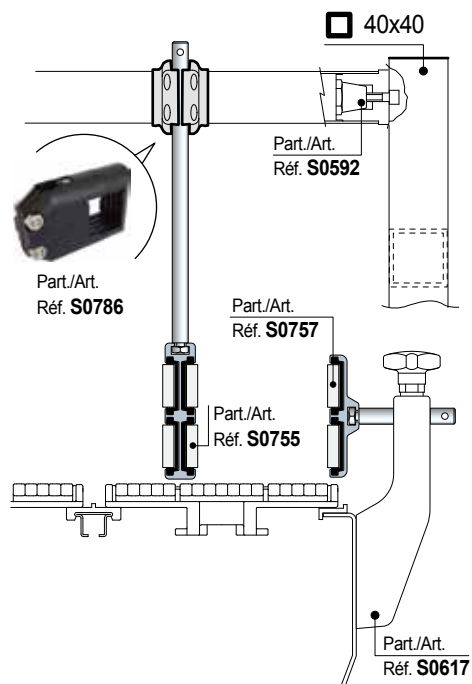
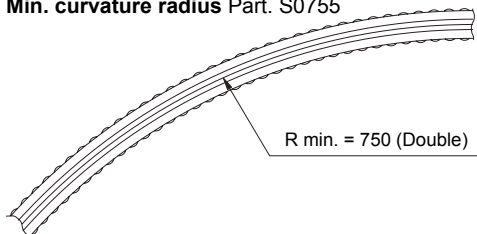


• **Accessories**

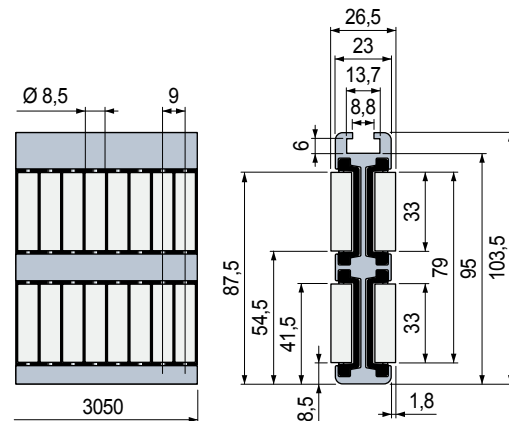
Part. S0369 - Connecting bar



• **Min. curvature radius** Part. S0755



■ **Centre guide with cylinder rollers**



Cylinder rollers material	Code	Weight kg
Polyethylene PE (white)	<b>645113</b>	3,00

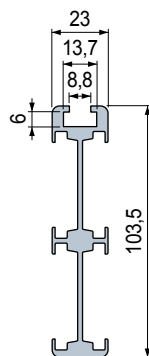
- Material: metal profile in anodized aluminium, rollers module in acetal POM (black), roller pins in stainless steel.
- Standard packaging: strands 3,05 metres.
- Packaging: 2 strands.

## Part. S0755

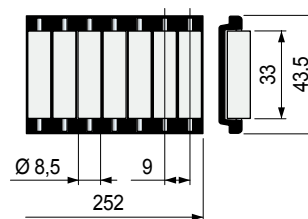


The roller side guides can be supplied with separated components.

**Metal profile**



**Cylinder roller module**



Length mm	Code	Cylinder rollers material	Code
3050	<b>607913</b>	Polyethylene PE (white)	<b>644613</b>
6100	<b>607923</b>		

- Material: anodized aluminium.
- Weight: 1,70 Kg/m.
- Packaging: 1 strand.

- **Best Seller**
- **Standard**
- **On request:** minimum quantity may apply. Consult our Customer Service for availability.

Item code for order = Part. + Code