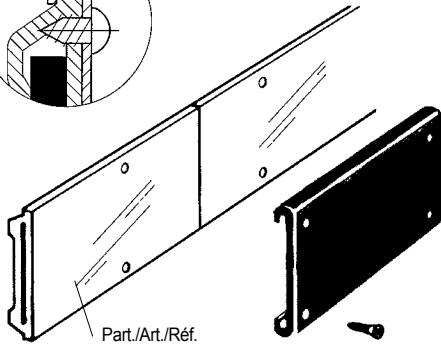
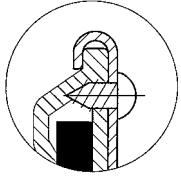
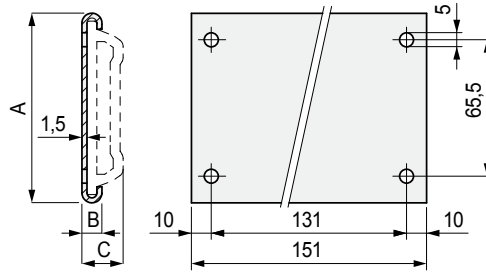


• **Assembly of Part. S0378 - S0379**  
 Assembly with self-tapping screws  
 4,8 x 9,5 DIN 7970



Part./Art./Réf.  
**S0191 - S0296**

## Joint clamp



Use	A mm	B mm	C mm	Code
Applicable to Part. S0191	81,5	9	18	<b>S037863646</b>
Applicable to Part. S0296	90	8	17	<b>S037963656</b>

- Material: clamp and fixing screws in austenitic stainless steel.
- Standard packaging: 50 pieces complete with fixing screws.

## Accessories

**Part. S0378**  
**Part. S0379**



- **Best Seller**
- **Standard**
- **On request:** minimum quantity may apply. Consult our Customer Service for availability.

Item code for order = Part. + Code