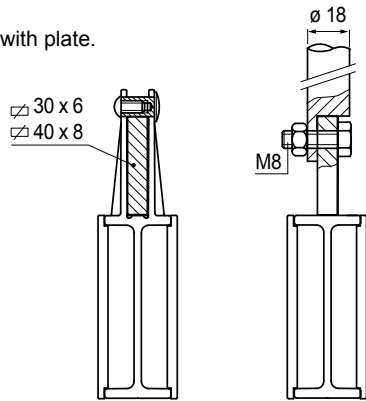
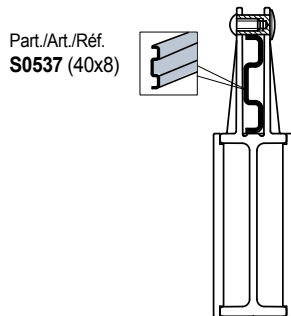


**• Fixing of Part. S0605**  
Assembly / disassembly

- Fixing with plate.

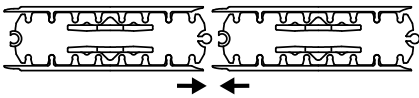


- Fixing with metal profile Part. S0537.



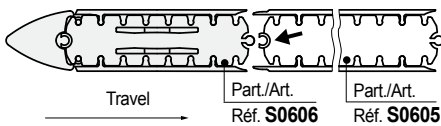
**• Modular system**

The guide consists of modules with snap-on assembly.



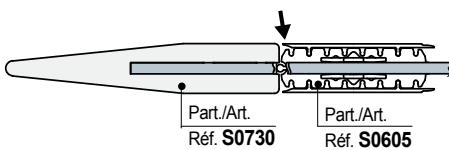
**• Assembly of Part. S0606**

Guide position Part. S0605 to allow assembly with divider module.

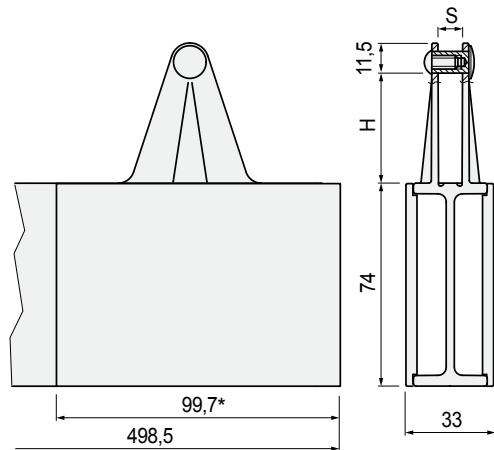


**• Assembly of Part. S0730**

Guide position (Part. S0605) to allow assembly with divider module Part. S0730.



**■ Guide rail (extra flat)**



\*= module length

Version	H mm	S mm	Code	Weight kg/m
For 30x6 plate	30	6	613622	1,38
For 40x8 plate	40	8	613632	

- Use: glass containers without side load.
- Can be used both straight run and sideflexing.
- Can be used in combination with Part. S0273 - S0356 - S0422 - S0539 - S0639 - S0642.
- Material: frame in acetal POM (black).
- Low friction plates in acetal POM (white).
- Min. curvature radius: 335 mm.
- Standard packaging: strands of 0,498 metres (N 5 modules).
- Packaging: 4,5 metres (N 9 strands).
- Accessories:

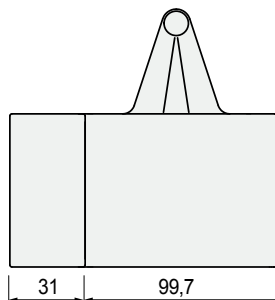


Divider module  
Part. S0730



Metal profile  
40x8  
Part. S0537

**■ Metal profile**



Version	Code	Weight kg
For 30x6 plate	613662	0,19
For 40x8 plate	613672	

- Material: frame in acetal POM (black).
- Low friction plates in acetal POM (white).
- Separation block in polyethylene PE (black).
- Packaging: 2 pieces.

## Part. S0605



Sideflexing

### Accessories

## Part. S0606



● Best Seller

● Standard

● On request: minimum quantity may apply. Consult our Customer Service for availability.

Item code for order = Part. + Code