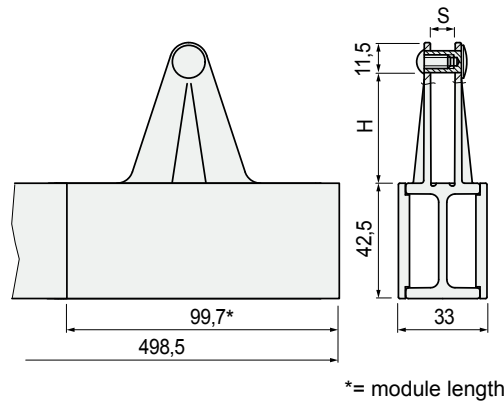


Part. **S0605**

■ Guide rail (extra flat)



Sideflexing



*= module length

Version	H mm	S mm	Code	Weight kg/m
For 30x6 plate	30	6	613602	0,96
For 40x8 plate	40	8	613612	

- Use: glass containers without side load. Can be used both straight run and sideflexing.
- Can be used in combination with Part. S0273 - S0356 - S0422 - S0539 - S0639 - S0642.
- Material: frame in acetal POM (black). Low friction plates in acetal POM (white).
- Min. curvature radius: 335 mm.
- Standard packaging: strands of 0,498 metres (N 5 modules).
- Packaging: 4,5 metres (N 9 strands).
- Accessories:



Divider module Part. S0730

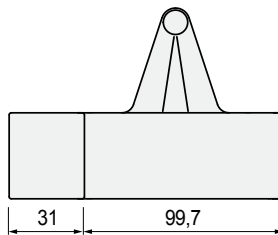


Metal profile 40x8 Part. S0537

Accessories

Part. **S0606**

■ Metal profile

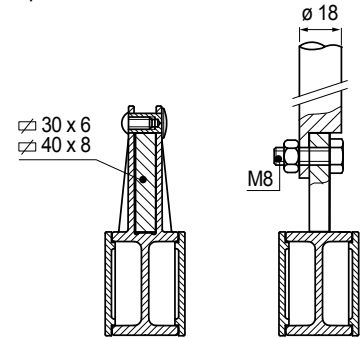


Version	Code	Weight kg
For 30x6 plate	613642	0,13
For 40x8 plate	613652	

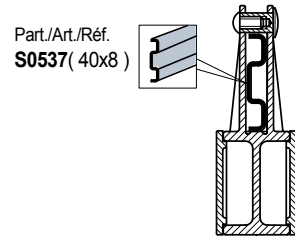
- Material: frame in acetal POM (black). Low friction plates in acetal POM (white). Separation block in polyethylene PE (black).
- Packaging: 2 pieces.

• Fixing of Part. S0605
Assembly / disassembly

- Fixing with plate.

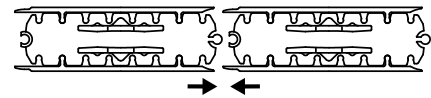


- Fixing with metal profile Part. S0537.



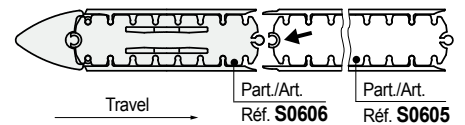
• Modular system

The guide consists of modules with snap-on assembly.



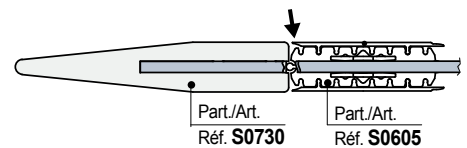
• Assembly of Part. S0606

Guide position Part. S0605 to allow assembly with divider module.



• Assembly of Part. S0730

Guide position (Part. S0605) to allow assembly with divider module Part. S0730.



- Best Seller
- Standard
- On request: minimum quantity may apply. Consult our Customer Service for availability.

Item code for order = Part. + Code