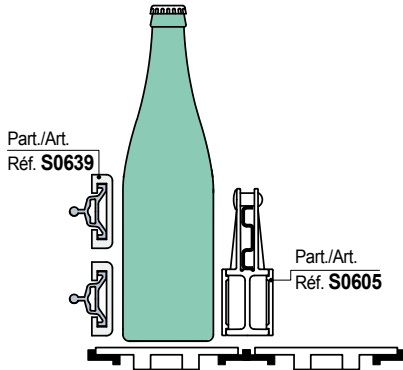
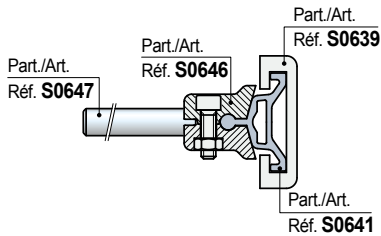


• Use of Part. S0639

Rugged containers with delicate surface (for example decorated glass bottles). Can be used in combination with Part. S0605.

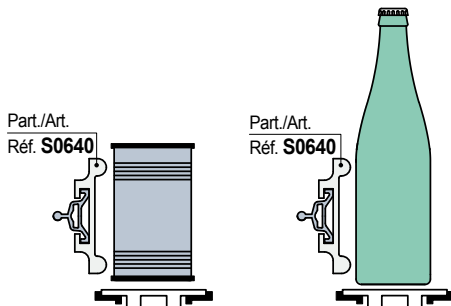


• Assembly of Part. S0639

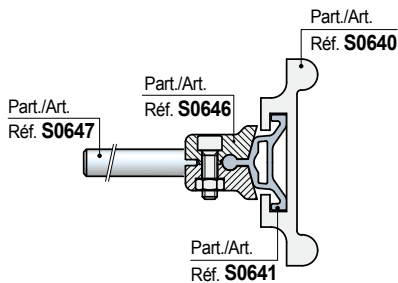


• Use of Part. S0640

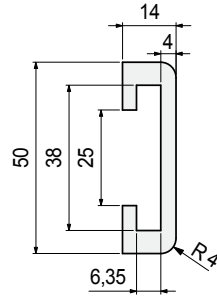
Medium strength containers (ex: latten, glass).



• Assembly of Part. S0640

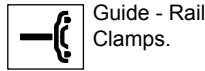


■ Guide rail

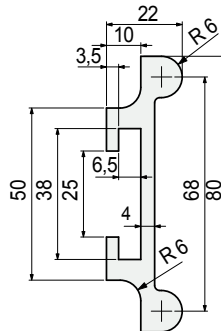


Material	Length metres	Code
UHMWPE		
Black	3	652252

- Linear expansion coefficient: $2 \times 10^{-4} \text{ } ^\circ\text{C}^{-1}$.
- Calculation of thermal expansion see Technical information.
- Packaging: 36 metres.
- Accessories:

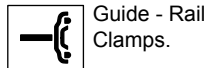


■ Guide rail

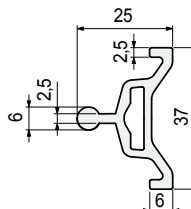


Material	Length metres	Code
UHMWPE		
Black	3	652262

- Linear expansion coefficient: $2 \times 10^{-4} \text{ } ^\circ\text{C}^{-1}$.
- Calculation of thermal expansion see Technical information.
- Packaging: 36 metres.
- Accessories:

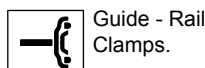


■ Metal profile

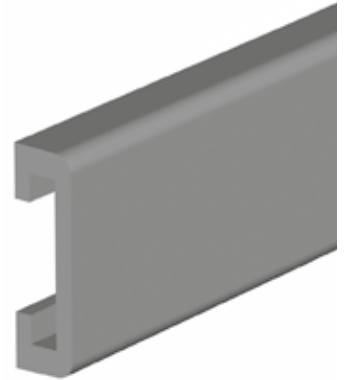


Metal profile material	Length metres	Code
Anodized aluminium	3	652272
	6	652282

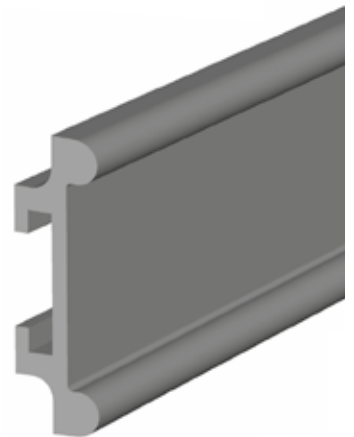
- Packaging: 36 metres.
- Accessories:



Part. S0639



Part. S0640



Part. S0641



- Best Seller
- Standard
- On request: minimum quantity may apply. Consult our Customer Service for availability.

Item code for order = Part. + Code