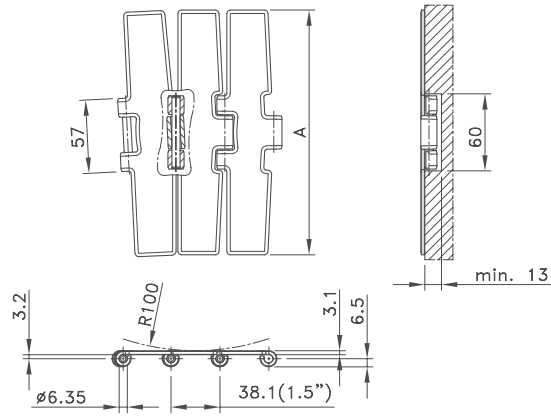
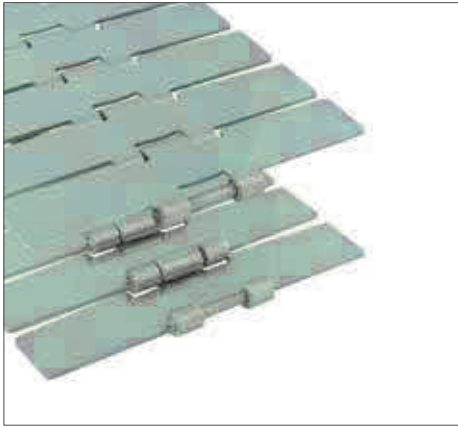


Magnetflex® Heavy Duty Max-Line



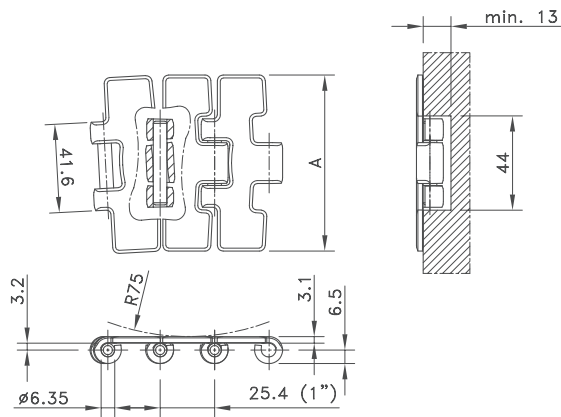
| Chain Type | Code Number | Plate Width A | | Weight kg/m | Surface Flatness (max.) mm | Polished Hinge Eyes | Working Load (max.) N |
|------------------|-------------|------------------|------|----------------|-------------------------------------|---------------------------|--------------------------------|
| | | mm | inch | | | | |
| 60-Series | | | | | | | |
| 60 M 75 M | 767.53.75 | 190.5 | 7.50 | 5.03 | 0.60 | yes | 7000 |
| 66-Series | | | | | | | |
| 66 M 75 M XHB | 767.03.75 | 190.5 | 7.50 | 5.03 | 0.60 | yes | 7000 |

Standard length: 3.048 m - 10 feet (80 links).

Sideflex radius min. 860 mm.

NOTE: 60 M 75 M is recommended for medium duty applications, 66 M 75 M is recommended for heavy duty applications.

Magnetflex® Single Hinge 1"



| Chain Type | Code Number | Plate Width A | | Weight kg/m | Surface Flatness (max.) mm | Polished Hinge Eyes | Working Load (max.) N |
|------------------|---------------|------------------|------|----------------|-------------------------------------|---------------------------|--------------------------------|
| | | mm | inch | | | | |
| Opti-Plus | | | | | | | |
| SSC 581 M-K325 | 10.027.21.11* | 82,5 | 3,25 | 2,80 | 0,18 | no | 5000 |

Standard length: 3.048 m - 10 feet (120 links).

Sideflex radius min. 500 mm.

* Ask customer service for minimum order quantity.