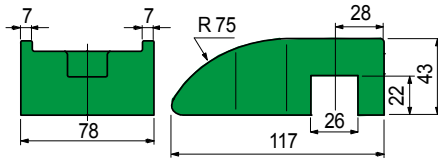


## Part. S0729



### Chain return guide



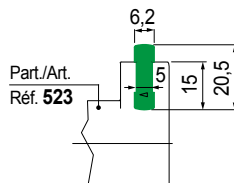
Material	Code	Weight kg
Polyamide PA (black)	689642	0,10
Polyethylene PE (green)	697662	

- New design offers less and more uniform wear of chains and better cleanability.
- PE polyethylene (green) version is recommended with plastic chains and metal chains.
- PA polyamide (black) version is recommended only with metal chains.
- Packaging: 50 pieces.

## Part. S0524



### Sliding profile



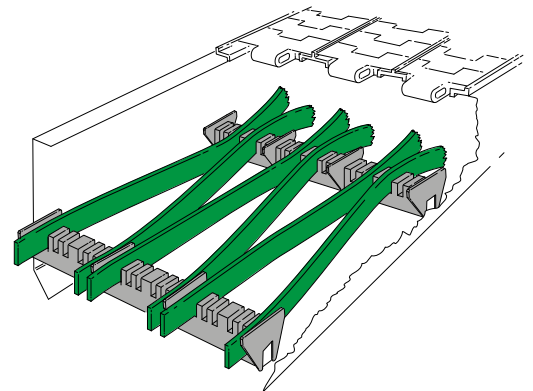
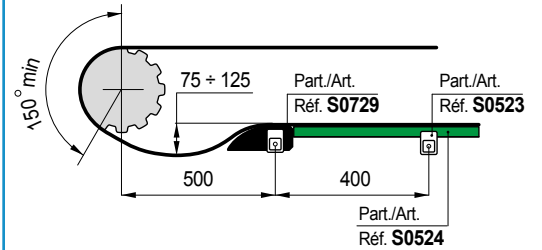
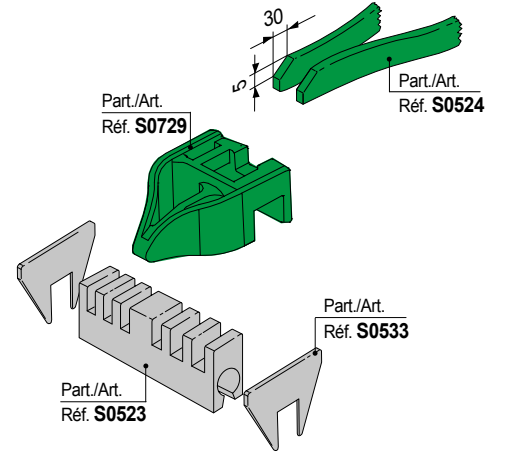
Material	Code
Polyethylene PE (green) 1.000.000	643501

- Assembly: Applicable to spacers Part. S0523. Snap-on assembly.
- Standard packaging: coil.
- Packaging: 70 metres.

### Assembly Part. S0729

Assembly: press-fit. Interference fixed.

For assembly schemes see page S60 - S61.



● Best Seller

● Standard

● On request: minimum quantity may apply. Consult our Customer Service for availability.

Item code for order = Part. + Code