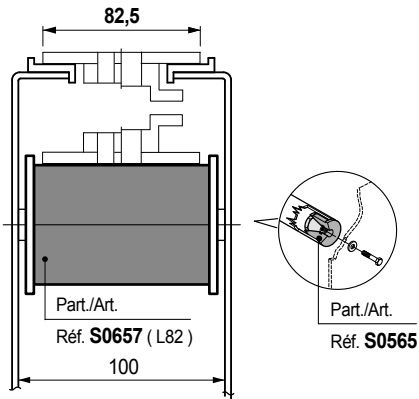
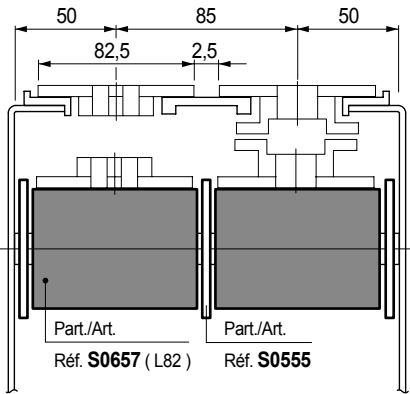


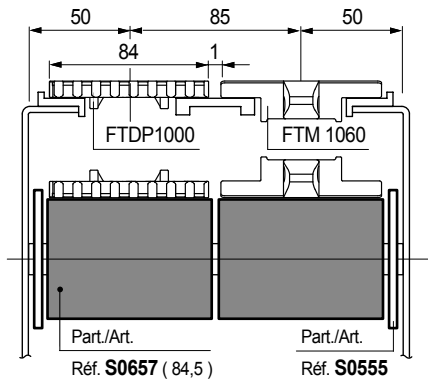
Chain width 82,5 mm (K 325)



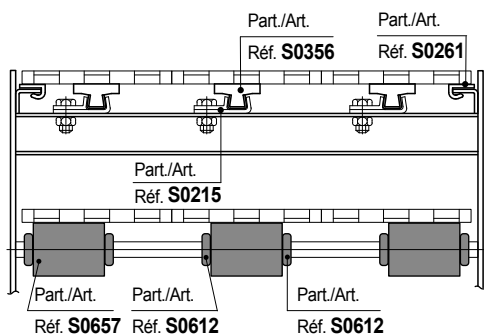
Chain width 82,5 mm (K 325) / Pitch 85 mm



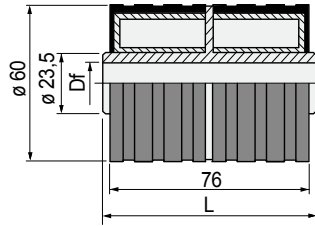
Chain width 84 mm (K 325) / Pitch 85 mm



MatTop® modular chains



Double roller (with rubber surface)



PATENTED

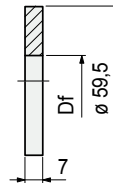


Dia. 60 mm

| Shaft dia. mm | Bore dia. Df mm | Code | |
|------------------|-----------------------|--------|---------------|
| | | L = 82 | L = 84,5 |
| 12,7 | 1/2 | 13,2 | 656982 - |
| 15 | - | 15,5 | 656992 608253 |
| 16 | 5/8 | 16,5 | 657002 608263 |
| 18 | - | 18,5 | 657012 608273 |
| 19,05 | 3/4 | 19,5 | 656692 - |
| 20 | - | 20,5 | 657022 608283 |

- Characteristics: completely closed design. Rubber surface for less noise even in high speed conveyors. Hub in acetal for low friction.
- Material: roller in acetal POM (white). Surface in thermoplastic rubber (grey). 70 shore hardness
- Packaging: 100 pieces.

Separator



| Shaft dia. mm | Bore dia. Df mm | Code |
|------------------|-----------------------|---------|
| 20 | 20,2 | 620783N |

- Assembly: to be applied to rollers Part. S0556 - S0614.
- Material: Polyethylene PE (black).
- Packaging: 100 pieces.

Part. S0624



- Best Seller
- Standard
- On request: minimum quantity may apply. Consult our Customer Service for availability.

Item code for order = Part. + Code