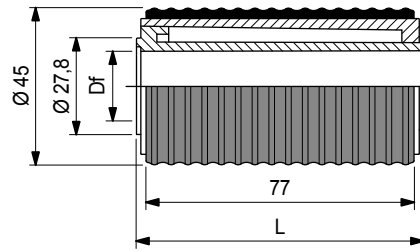


## Part. S0826



Dia. 45 mm

### Double roller (with rubber surface)



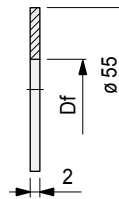
Shaft dia. mm	Bore dia. Df mm	Code	
		L = 82	L = 84,5
16	16,5	632063	632083
18	18,5	636643	636653
20	20,5	632073	632093

- Characteristics: completely closed design. Rubber surface for less noise even in high speed conveyors. Hub in acetal for low friction.
- Material: roller in polyethylene PE (white). Surface in thermoplastic rubber (grey). 70 shore hardness.
- Packaging: 100 pieces.

## Part. S0827



### Guide flange



Shaft dia. mm	inch	Bore dia. Df mm	Code
			16
20	3/4	20,2	632113

- Material: polyethylene PE (black).
- Packaging: 100 pieces.

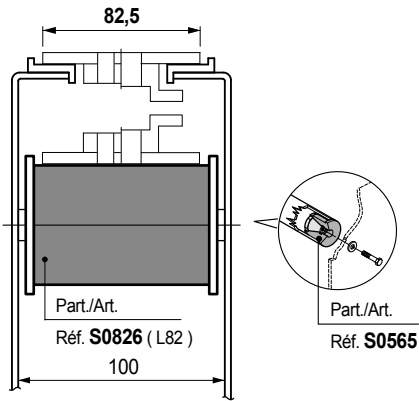
● Best Seller

● Standard

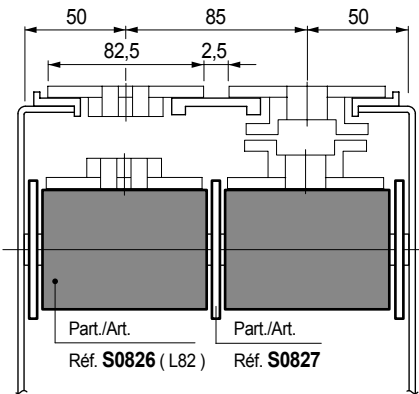
● On request: minimum quantity may apply. Consult our Customer Service for availability.

Item code for order = Part. + Code

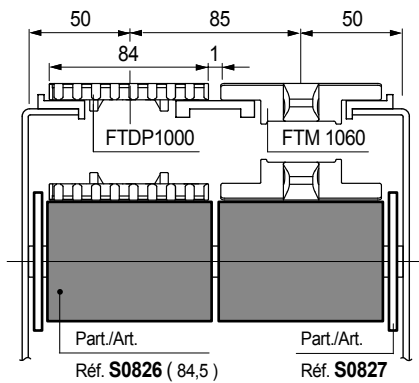
Chain width 82,5 mm (K325)



Chain width 82,5 mm (K325) / Pitch 85 mm



Chain width 84 mm pitch 85 mm



### MatTop® modular chains

