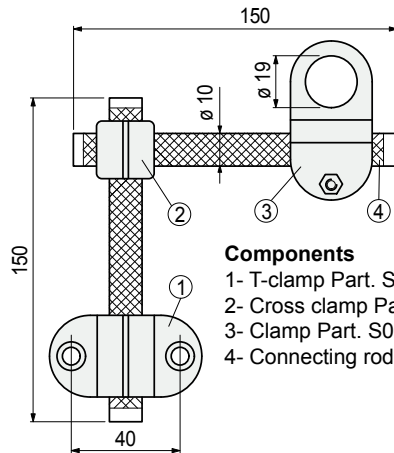


Part. S0342



■ Assembly kit for photocells or sensors



- Components**
 1- T-clamp Part. S0339
 2- Cross clamp Part. S0340
 3- Clamp Part. S0341
 4- Connecting rod

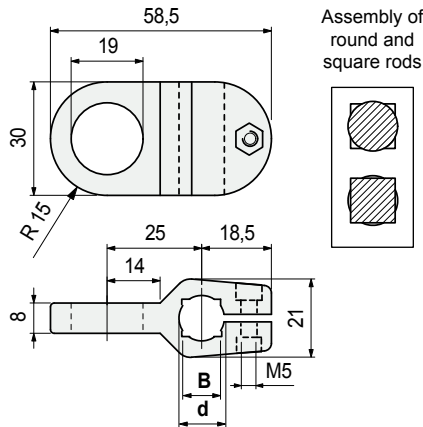
Code	Weight kg
605153N	0,14

- Material: clamps in reinforced polyamide PA FV (black), tightening bolt and connecting rods in austenitic stainless steel.
- Max recommended tightening torque : 0,5 Kgm.
- Packaging: 50 Kit.

Part. S0341



■ Clamp for photocells or sensors

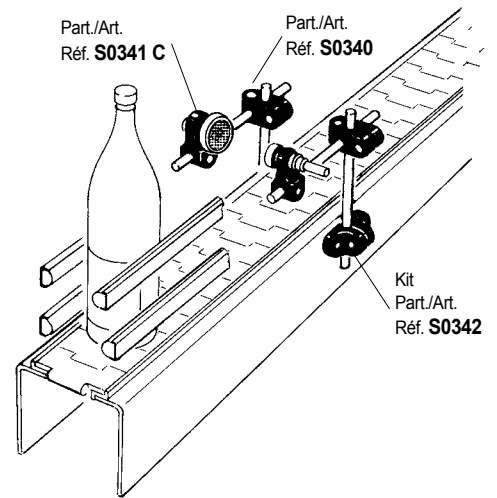


Tightening bolt material	Rod dia. d mm	Square rod B mm	Code	Weight kg
			68383	
Austenitic stainless steel	10	8	68383	0,02
	12	10	68395	
	14	12	67385	
Zinc plated steel	10	8	627061	0,02
	12	10	627071	
		14	627081	

- Material: clamp in reinforced polyamide PA FV (black).
- Max recommended tightening torque: 0,5 Kgm.
- Packaging: 50 pieces.

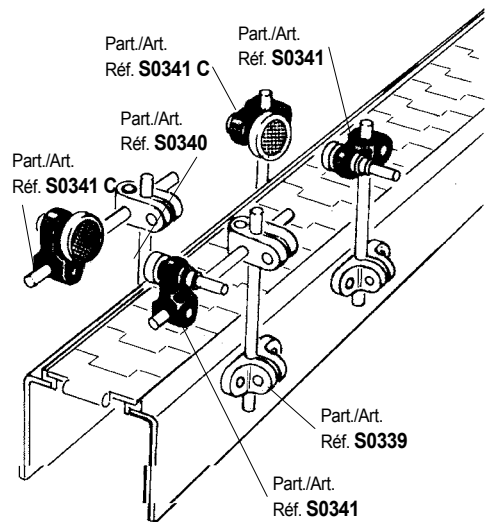
• Assembly Part. S0342

Dia. 18 mm photocells or sensors



• Assembly Part. S0341

Dia. 18 mm photocells or sensors



- Best Seller
- Standard
- On request: minimum quantity may apply. Consult our Customer Service for availability.

Item code for order = Part. + Code