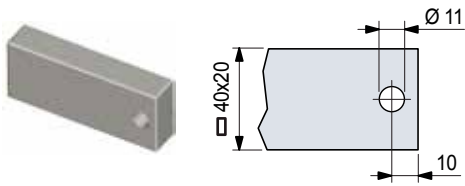
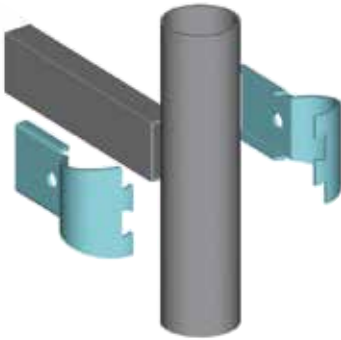


• Drilling template for rectangular tubes.

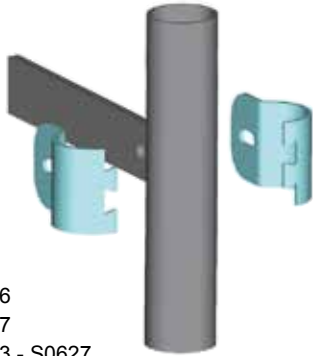


• Assembly

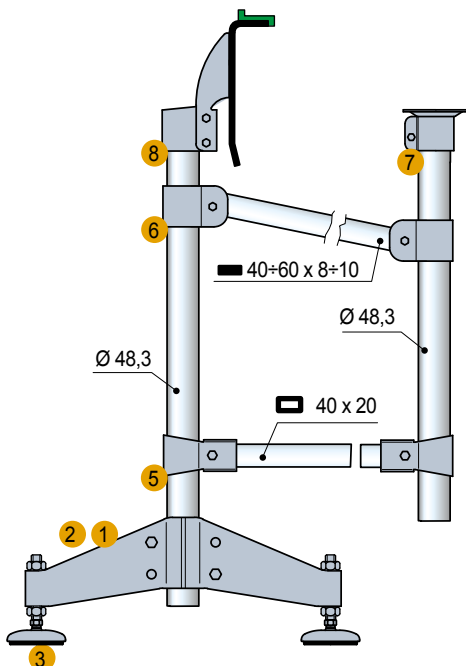
Part. S0688



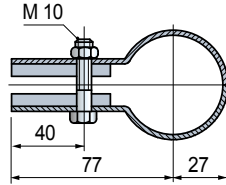
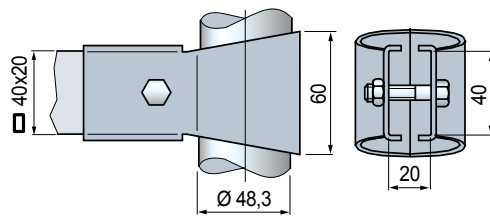
Part. S0689



- 1 - Part. S0706
- 2 - Part. S0707
- 3 - Part. S0623 - S0627
- 5 - Part. S0688
- 6 - Part. S0689
- 7 - Part. S0690
- 8 - Part. S0685



## Connecting Joints



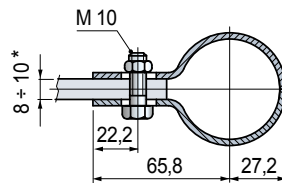
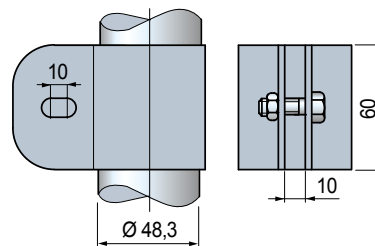
| Tube dia. mm | Rectangular tube mm | Code   | Weight kg |
|--------------|---------------------|--------|-----------|
| 48,3 (1"1/2) | 40 x 20             | 684552 | 0,35      |

- Material: joint and bolts in austenitic stainless steel.
- Packaging: 8 pieces.

## Part. S0688



## Connecting Joints



\*= Can be used with plate thickness 8 ÷ 10 mm.

| Tube dia. mm | Code   | Weight kg |
|--------------|--------|-----------|
| 48,3 (1"1/2) | 684562 | 0,37      |
| 50,8         | 609943 |           |

- Material: joint and bolts in austenitic stainless steel.
- Packaging: 8 pieces.

## Part. S0689



- Best Seller
- Standard
- On request: minimum quantity may apply. Consult our Customer Service for availability.

Item code for order = Part. + Code