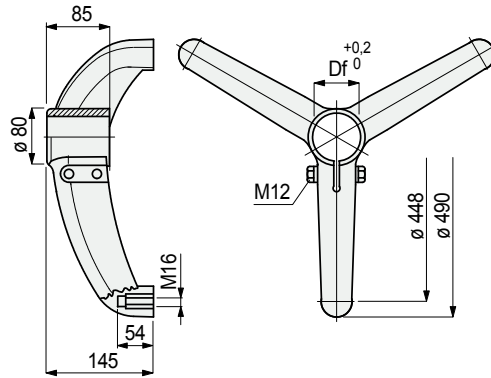


Part. **S0615**

Support base (tripod)



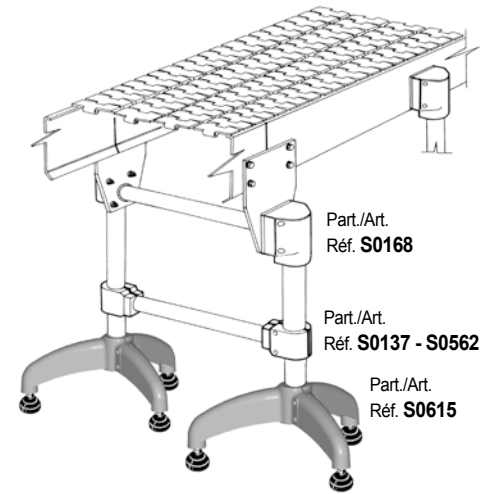
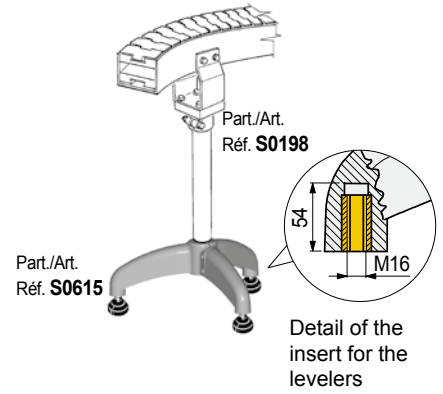
For round tubes



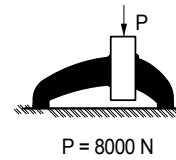
Tube dimensions mm	Bore dia. Df mm	Code
<b>Bolts in austenitic stainless steel</b>		
38,1	38,1	<b>624242</b>
42,4 (1 1/4)	42,4	<b>624252</b>
48,3 (1 1/2)	48,3	<b>624262</b>
50,8	50,8	<b>624272</b>
60,3 (2")	60,3	<b>621522</b>
<b>Bolts in zinc plated steel</b>		
38,1	38,1	638742
42,4 (1 1/4)	42,4	638752
48,3 (1 1/2)	48,3	638762
50,8	50,8	638772
<b>60,3 (2")</b>	60,3	<b>638782</b>

- Material: support base in reinforced polyamide PA FV (black), brass threaded bushings.
- Weight: 1,45 Kg.
- Max recommended tightening torque: 3,6 Kgm.
- Packaging: 8 pieces.

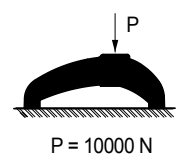
Assembly of Part. S0615



Sliding load

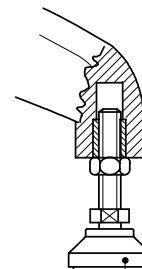


Max applicable load



Tests performed at tightening torque: 3,6 Kgm

Types of levelers that can be used



Part./Art./Réf. **R0098 - R0133 - R0323**

Best Seller

Standard

On request: minimum quantity may apply. Consult our Customer Service for availability.

Item code for order = Part. + Code