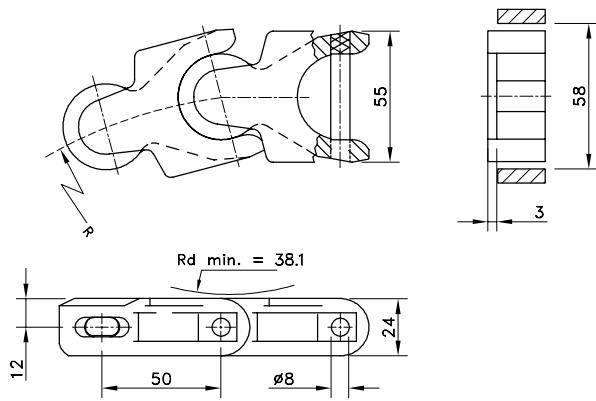
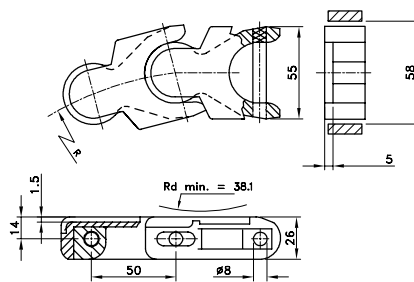


1700



Chain Type	Code Number	Link Width		Weight	Working Load (max.)	Backflex Radius (min)	Sideflex Radius (min)
		A					
		mm	inch	kg/m	N (21°C)	mm	mm
LF-Acetal							
A 1700	L1700A	55.0	2.17	1.26	2670	38.1	140
WLF-Acetal							
WLF 1700	L1700WLF	55.0	2.17	1.26	2670	38.1	140
HP-Acetal							
HP 1700	L1700HP	55.0	2.17	1.26	2670	38.1	140
Acetal with Hardened Steel Top Plates							
AC 1700 K	L1700ACK	55.0	2.17	60	2670	38.1	140

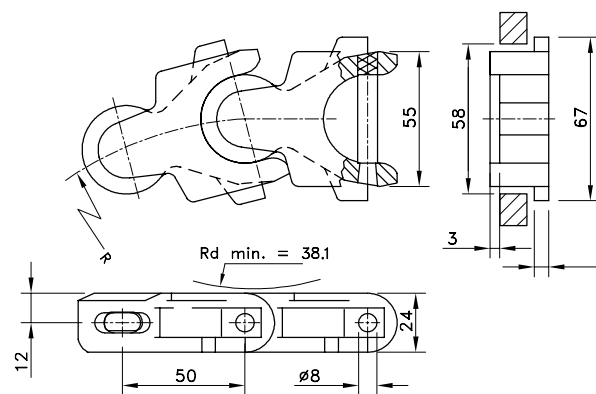
Standard length: 10 m - 32.8 feet (200 links).



AC (Armor Clad) Execution

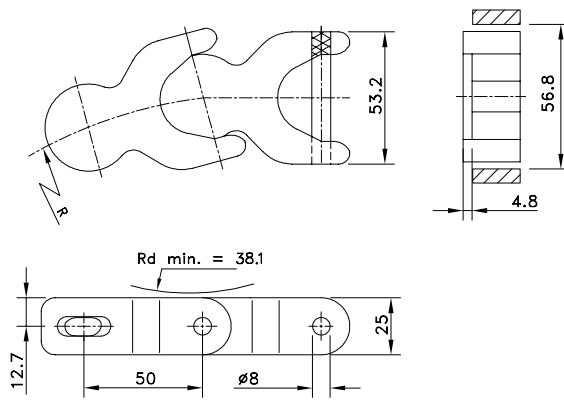
AC (Armor Clad) Execution

1700 TAB K



Chain Type	Code Number	Link Width		Weight	Working Load (max.)	Backflex Radius (min)	Sideflex Radius (min)
		A					
		mm	inch	kg/m	N (21°C)	mm	mm
WLF-Acetal							
WLF 1700 TAB K	L1700WLFTABK	55.0	2.17	1.30	2670	38.1	140

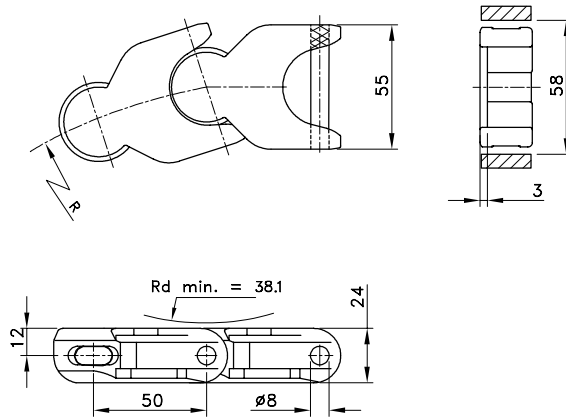
1702



Chain Type	Code Number	Link Width		Weight	Working Load (max.)	Backflex Radius (min)	Sideflex Radius (min)
		A					
		mm	inch	kg/m	N (21°C)	mm	mm
WLF-Acetal							
WLF 1702	L1702698592	53.1	2.09	1.43	2670	38	140

Standard length: 3.05 m - 10 feet (61 links).

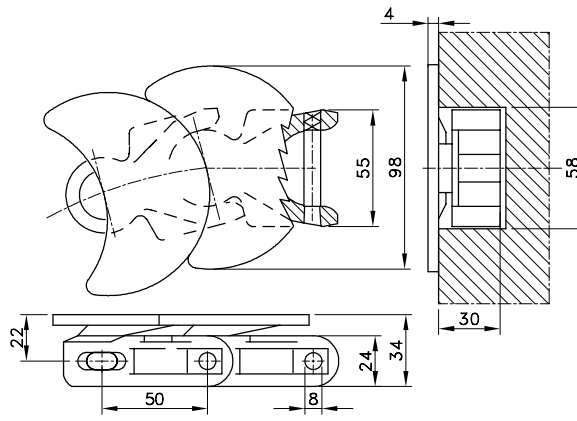
1720



Chain Type	Code Number	Link Width		Weight	Working Load (max.)	Backflex Radius (min)	Sideflex Radius (min)
		A					
		mm	inch	kg/m	N (21°C)	mm	mm
HP-Acetal							
HP 1720	L1720HP	55.0	2.17	1.26	2600	50	140

Standard length: 10 m - 32.8 feet (200 links).

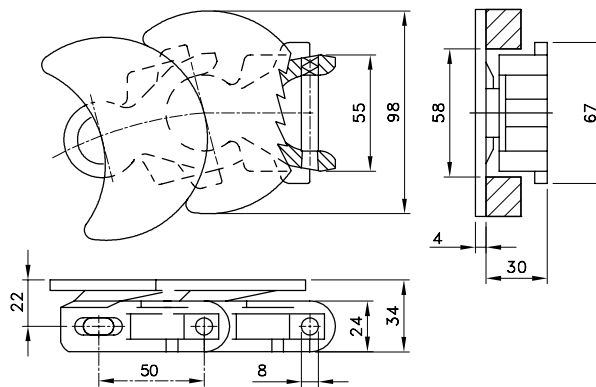
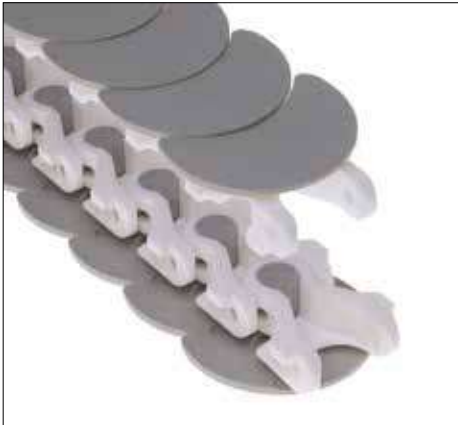
1710 K



Chain Type	Code Number	Link Width		Weight	Working Load (max.)	Backflex Radius (min)	Sideflex Radius (min)
		A					
		mm	inch				
WLF-Acetal							
WLF 1710 K	L1710WLFK	98.0	3.86	1.88	2600	0	140

Standard length: 10 m - 32.8 feet (200 links). Top plate grey polyamide.

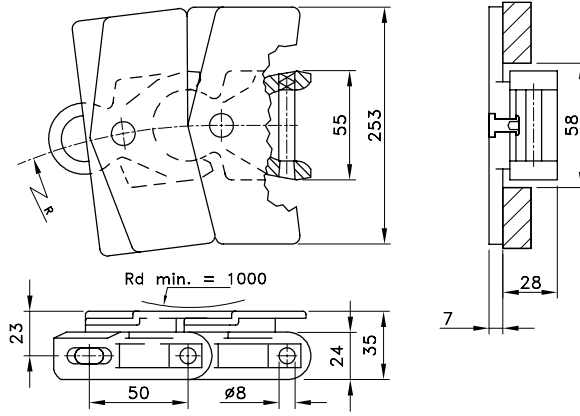
1710 TAB K



Chain Type	Code Number	Link Width		Weight	Working Load (max.)	Backflex Radius (min)	Sideflex Radius (min)
		A					
		mm	inch				
WLF-Acetal							
WLF 1710 TAB K	L1710WLF TABK	98.0	3.86	1.93	2600	0	140

Standard length: 10 m - 32.8 feet (200 links). Top plate grey polyamide.

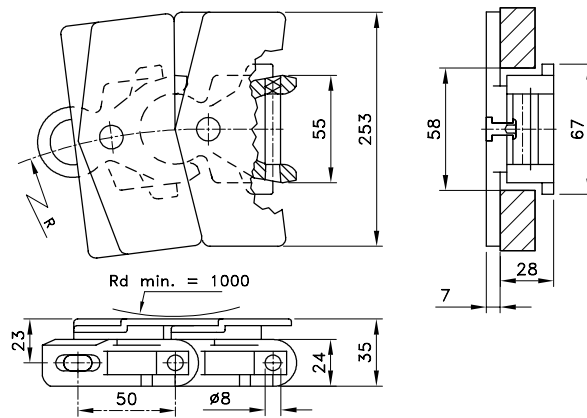
1713 K



Chain Type	Code Number	Link Width		Weight	Working Load (max.)	Backflex Radius (min)	Sideflex Radius (min)
		A					
		mm	inch	kg/m	N (21°C)	mm	mm
WLF-Acetal							
WLF 1713 K	L1713WLFK	253.0	9.96	2.70	2600	1000	500

Standard length: 10 m - 32.8 feet (200 links). Top plate white acetal.

1713 TAB K



Chain Type	Code Number	Link Width		Weight	Working Load (max.)	Backflex Radius (min)	Sideflex Radius (min)
		A					
		mm	inch	kg/m	N (21°C)	mm	mm
WLF-Acetal							
WLF 1713 TAB K	L1713WLFTABK	253.0	9.96	2.75	2600	1000	500

Standard length: 10 m - 32.8 feet (200 links). Top plate white acetal.