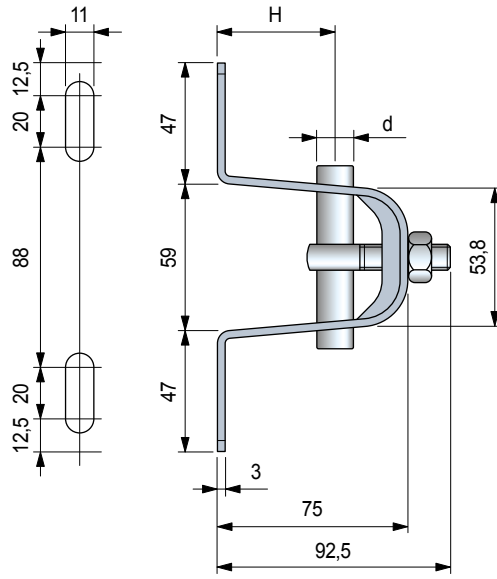


Part. **S0692**

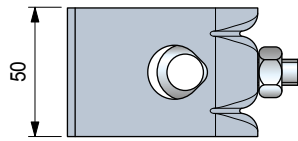
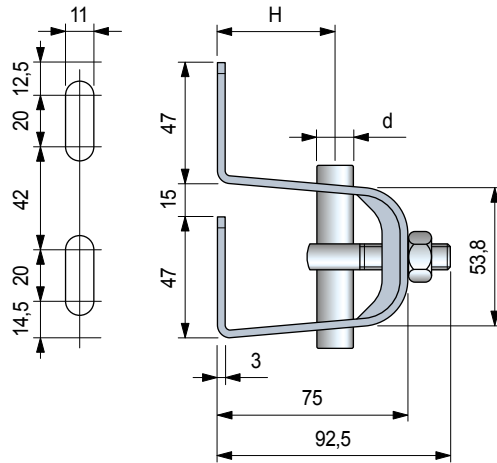


Bracket

Standard version



Compact version



Pin dia. d mm	H mm	Code		Weight kg
		Standard version	Compact version	
14	47	642713N	643263N	0,33
15	46	686272N	684622N	
16	46	686282N	684632N	
18	44	686292N	684642N	
20	42	686302N	684652N	

- Material: bracket and bolt in austenitic stainless steel.
- Max recommended tightening torque: 2 Kgm.
- Packaging: 8 pieces.

● Best Seller

● Standard

● On request: minimum quantity may apply. Consult our Customer Service for availability.

Item code for order = Part. + Code

• Use of Part. S0692

