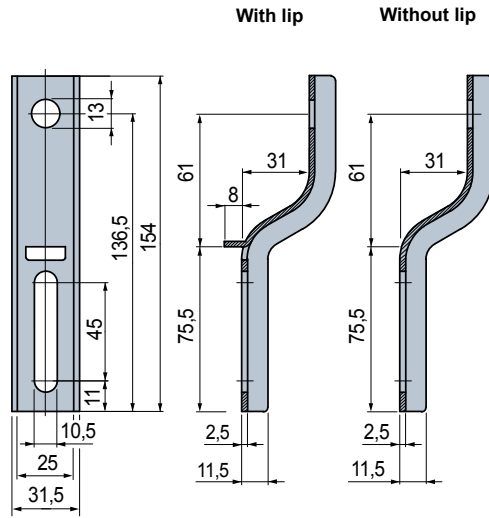


Part. **S0705**



Bracket



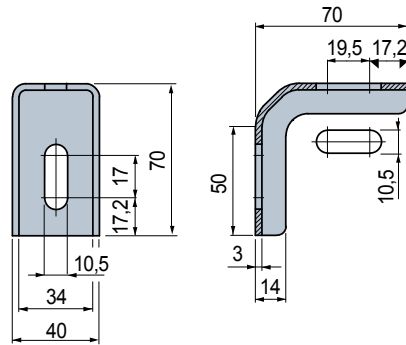
Version	Code	Weight kg
With lip	684902	0,17
Without lip	684912	

- Material: austenitic stainless steel.
- Packaging: 16 pieces.

Part. **S0704**



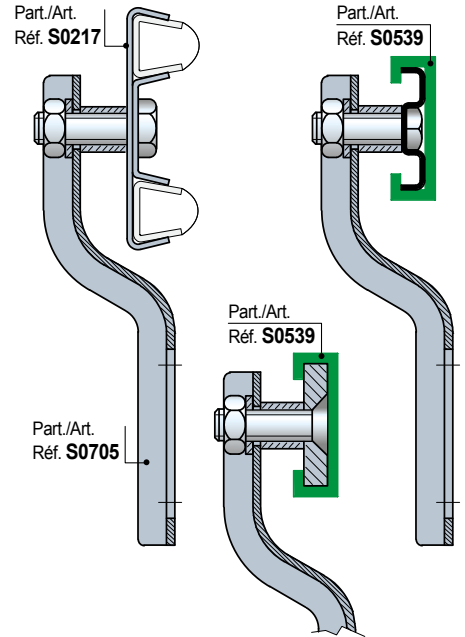
Bracket



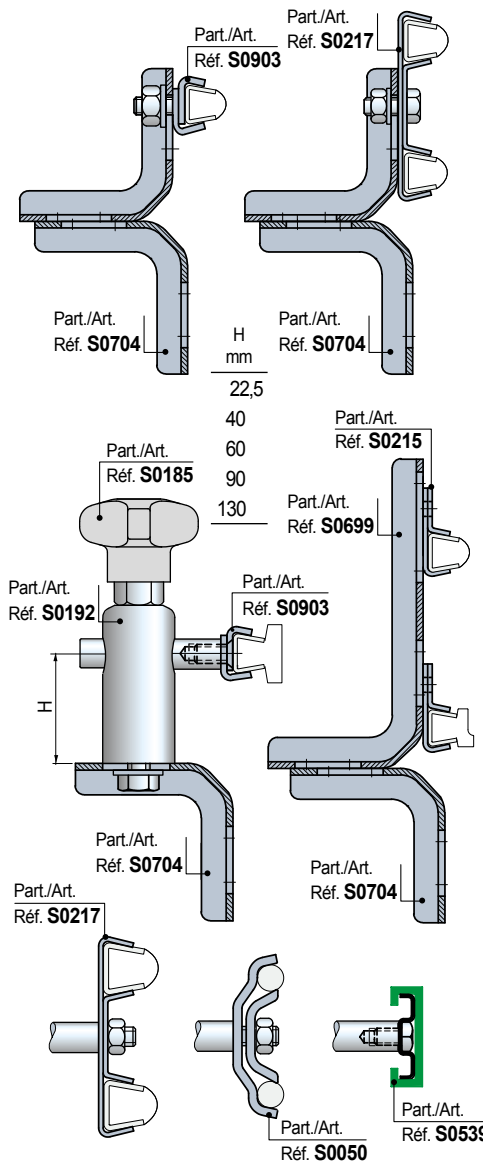
Code	Weight kg
684892	0,15

- Material: austenitic stainless steel.
- Packaging: 16 pieces.

• Use of Part. S0705



• Use of Part. S0704



- Best Seller
- Standard
- On request: minimum quantity may apply. Consult our Customer Service for availability.

Item code for order = Part. + Code