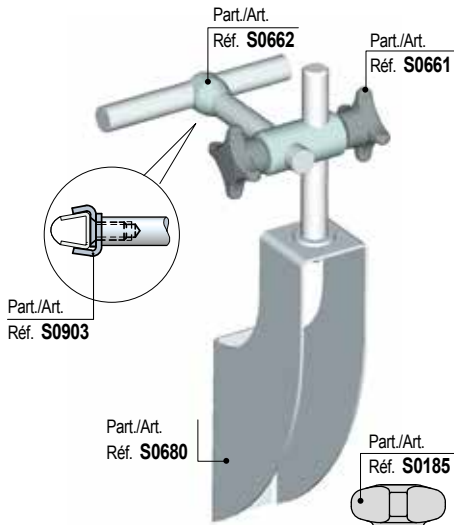
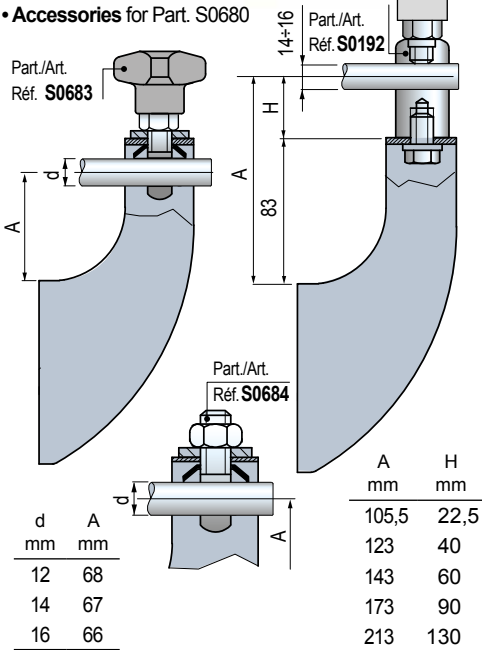


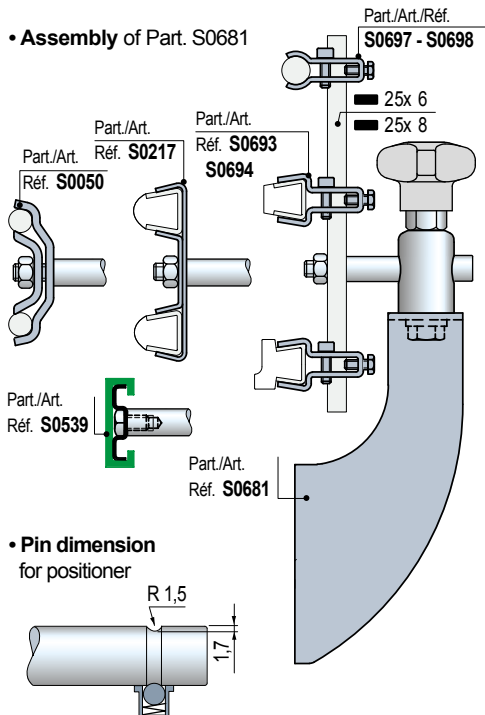
• Assembly of Part. S0680



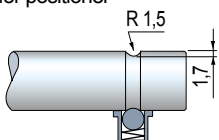
• Accessories for Part. S0680



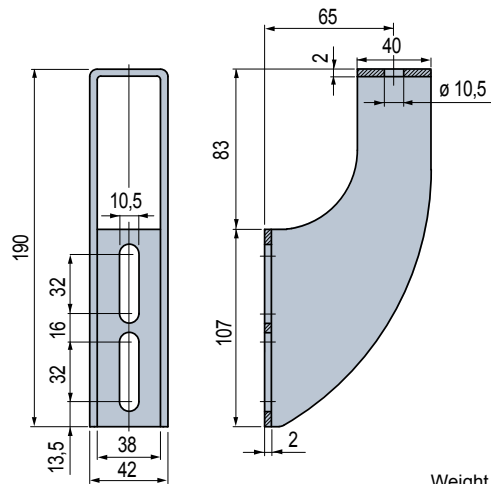
• Assembly of Part. S0681



• Pin dimension for positioner



■ Adjustable bracket



Code

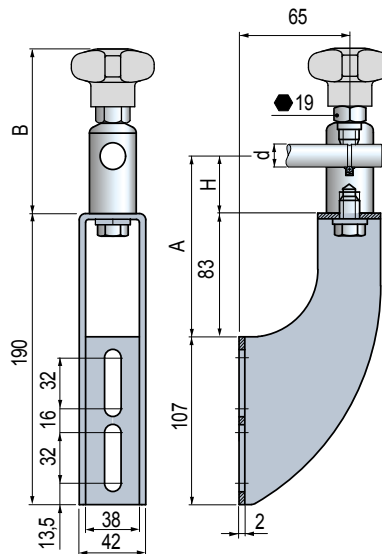
Weight kg

684352

0,36

- Material: austenitic stainless steel.
- Packaging: 6 pieces.

■ Adjustable bracket



Pin dia. d mm	A mm	H mm	Code	B mm	Weight kg
---------------	------	------	------	------	-----------

Without positioner

	105,5	22,5	684402	89	0,64
	123	40	685112	106,5	0,74
14÷16	143	60	685122	126,5	0,85
	173	90	685132	156,5	1,01
	213	130	685142	196,5	1,24

With positioner

	123	40	684362	106,5	0,74
16*	143	60	684372	126,5	0,85
	173	90	684382	156,5	1,01
	213	130	684392	196,5	1,24

* = Version with positioner can be used only with dia. 16 mm pins.

- Material: bracket in austenitic stainless steel.
- Swivel head in austenitic stainless steel.
- Knob in reinforced polypropylene PP FV (grey).
- Hexagonal insert (for 19 mm wrench) and bolts in austenitic stainless steel.
- Max recommended tightening torque: 4 Kgm.
- Packaging: 6 pieces.

Part. S0680



Part. S0681



● Best Seller

● Standard

● On request: minimum quantity may apply. Consult our Customer Service for availability.

Item code for order = Part. + Code