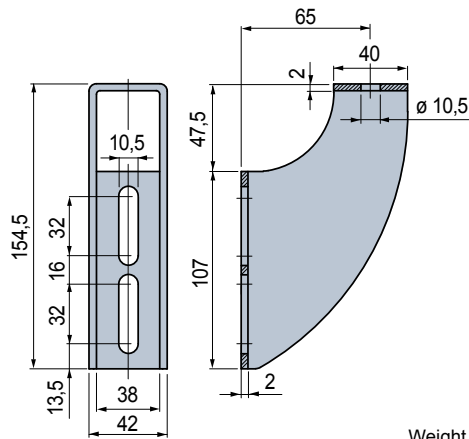


Part. **S0678**



Adjustable bracket



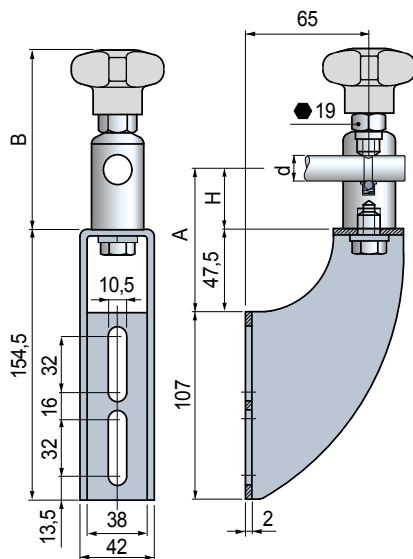
Code	Weight kg
684292	0,32

- Material: austenitic stainless steel.
- Packaging: 6 pieces.

Part. **S0679**



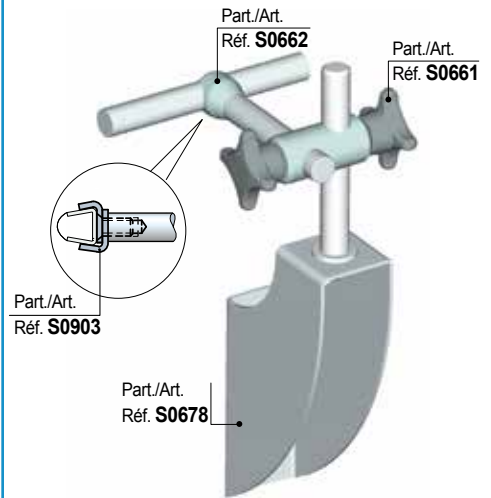
Adjustable bracket



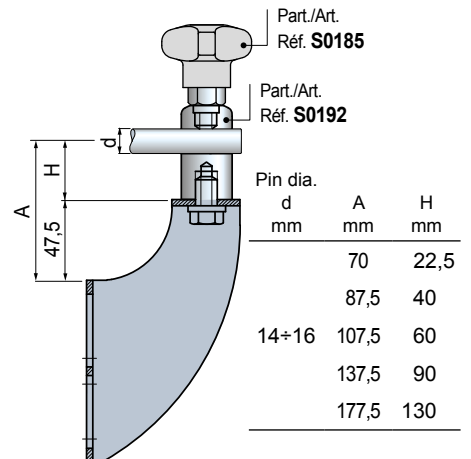
Pin dia. d mm	A mm	H mm	Code	B mm	Weight kg
Without positioner					
70	22,5		684302	89	0,60
87,5	40		684312	106,5	0,70
14+16	107,5	60	684322	126,5	0,81
	137,5	90	684332	156,5	0,97
	177,5	130	684342	196,5	1,20
With positioner					
	87,5	40	685072	106,5	0,70
16*	107,5	60	685082	126,5	0,81
	137,5	90	685092	156,5	0,97
	177,5	130	685102	196,5	1,20

- * = Version with positioner can be used only with dia. 16 mm pins.
- Material: bracket in austenitic stainless steel.
- Swivel head in austenitic stainless steel.
- Knob in reinforced polypropylene PP FV (grey).
- Hexagonal insert (for 19 mm wrench) and bolts in austenitic stainless steel.
- Max recommended tightening torque: 4 Kgm.
- Packaging: 6 pieces.

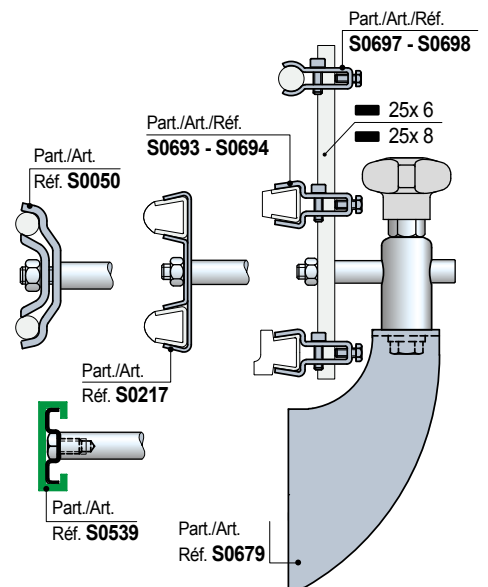
Assembly of Part. S0678



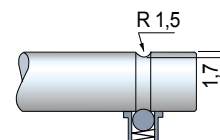
Accessories for Part. S0678



Assembly of Part. S0679



Pin dimension for positioner



- Best Seller
- Standard
- On request: minimum quantity may apply. Consult our Customer Service for availability.

Item code for order = Part. + Code