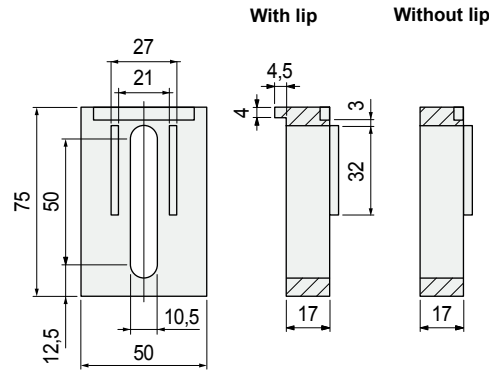


Part. **S0061**



■ Spacer

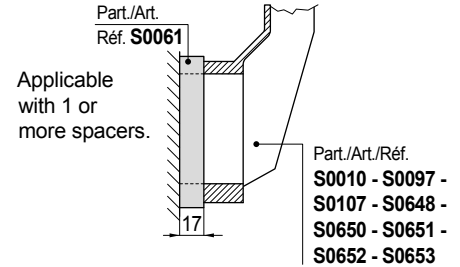


Version	Code	Weight kg
With lip	66194N	0,04
Without lip	50870N	

- Material: reinforced polyamide PA FV (black).
- Packaging: 50 pieces.

• Assembly of Part. S0061

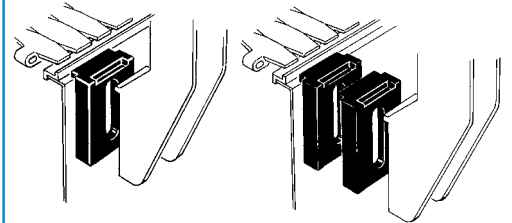
Applicable to Part. S0010 - S0097 - S0107 - S0648 - S0650 - S0651 - S0652 - S0653.



Advantages of version with lip:

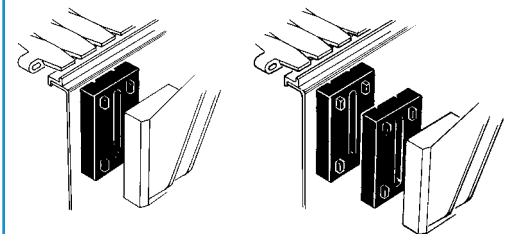
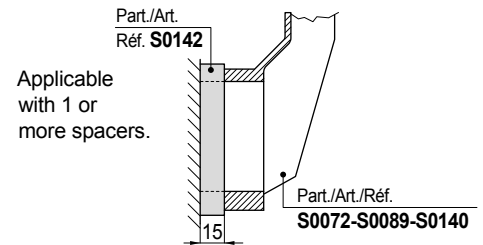
Possibility of resting on side of conveyor frame.

Possibility of assembling several spacers, all centred.



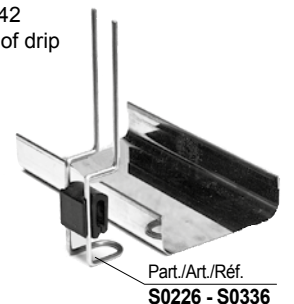
• Assembly of Part. S0142

Applicable to Part. S0072 - S0089 - S0140.



• Assembly of drip tray support

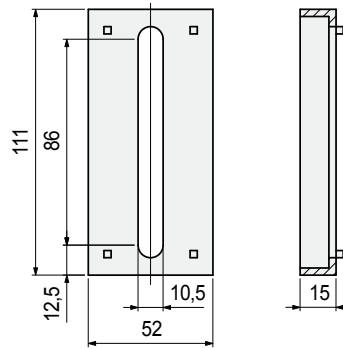
Part. S0226 - S0336.
Part. S0061 - S0142 permit application of drip tray support.



Part. **S0142**



■ Spacer



Code	Weight kg
65870	0,06

- Material: reinforced polyamide PA FV (black).
- Packaging: 25 pieces.

● Best Seller

● Standard

● On request: minimum quantity may apply. Consult our Customer Service for availability.

Item code for order = Part. + Code