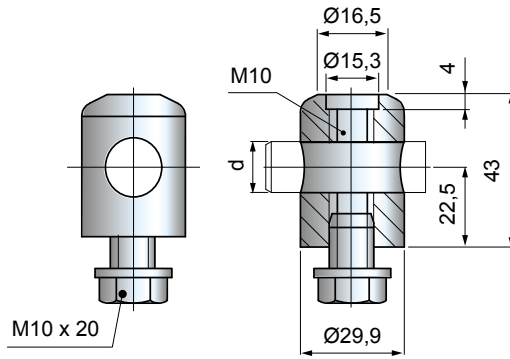


Part. **S0192**



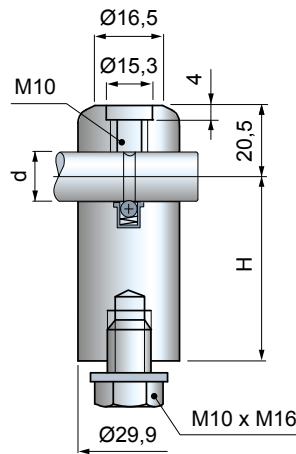
■ Swivel head



Pin dia. d mm	Materiale	Code	Weight kg
12 (1/2")	Austenitic stainless steel	608683	
14÷16*	Austenitic stainless steel	53091	0,19
	Nickel plated brass	60933	

* = the bearing head can be used with dia.14 and dia.16 mm pins.
 - Material: tightening bolt in austenitic stainless steel.
 - Packaging: 50 pieces.

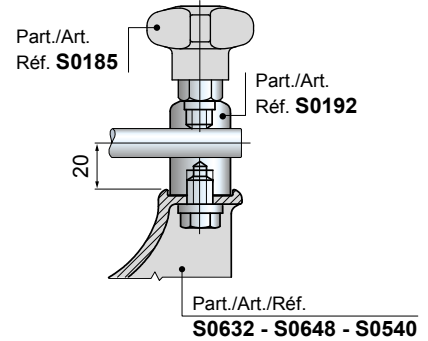
■ Swivel head with positioner



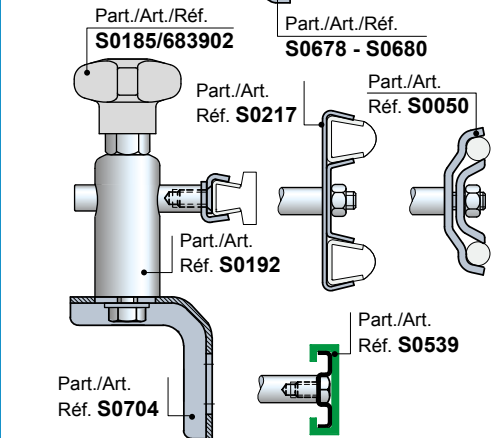
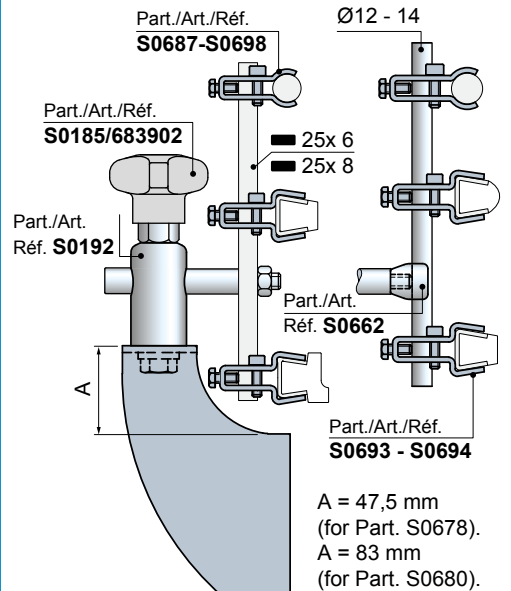
Pin dia. d mm	H mm	Code		Weight kg
		Sans positionneur	Avec positionneur	
12	22,5	685842	-	0,19
	40	674012	673962	0,29
14÷16*	60	674022	673972	0,40
	90	674032	673982	0,56
	130	674042	673992	0,79

* = Version with positioner can be used only with dia.16 mm pins.
 - Material: swivel head in austenitic stainless steel.
 - Tightening bolt in austenitic stainless steel.
 - Packaging: 10 pieces.

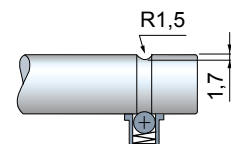
• **Assembly** of Part. S0192
 Applicable to brackets Part. S0632 - S0648 - S0540
 (in combination with knob Part. S0185).



• Use of Part. S0192



• Pin dimension for positioner



- Best Seller
- Standard
- On request: minimum quantity may apply. Consult our Customer Service for availability.

Item code for order = Part. + Code