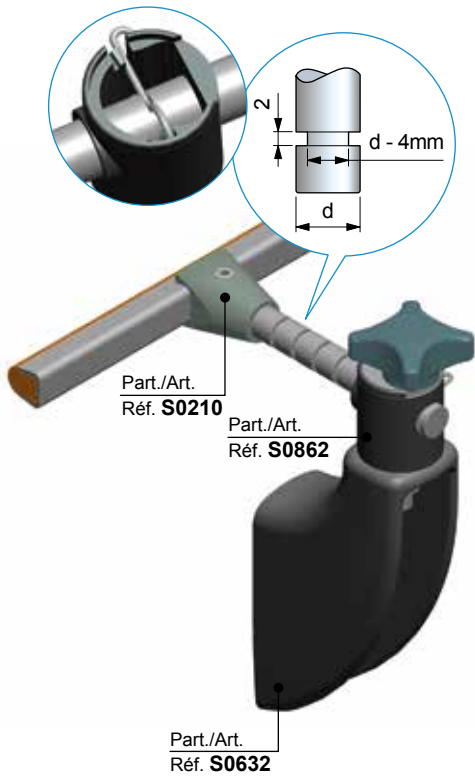
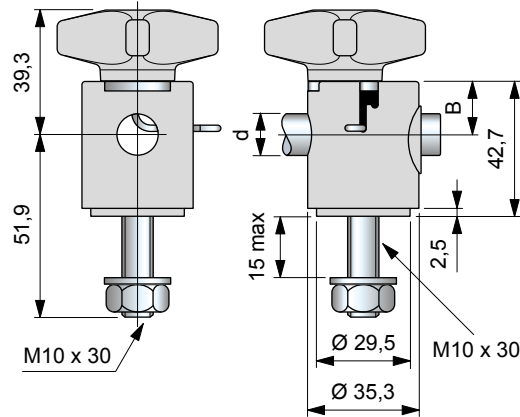


- **Assembly of Part. S0862**
Applicable to brackets Part. S0632 - S0648 - S0540



Swivel head



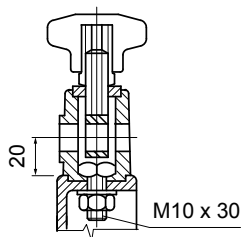
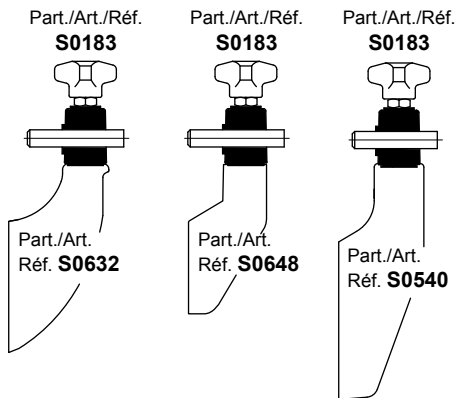
Pin dia. d mm	Pin dia. d inch	B	Code	Weight kg
12	1/2"	16,9	649763	
14	-	17,5	649773	0,08
16	5/8"	18,4	649783	

- Material: clamp and knob in reinforced polyamide PA FV (black).
Tightening nut and eyebolt in austenitic stainless steel.
- Packaging: 50 pieces.

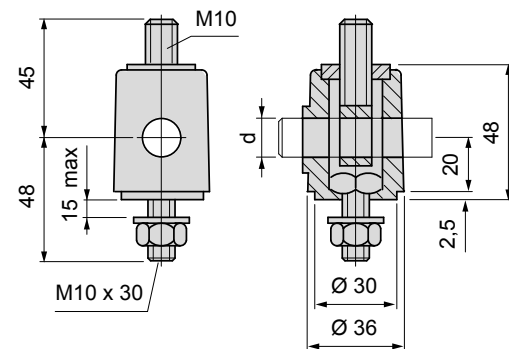
Part. S0862



- **Assembly of Part. S0256**
Applicable to brackets Part. S0632 - S0648 - S0540
(in combination with knob Part. S0183).



Swivel head



Material	Pin dia. d mm	Code	Weight kg
Reinforced polyamide PA FV (black)	12	64561	
	14	64571	0,12
	16	64581	

- Material: tightening nut and eyebolt in austenitic stainless steel.
- Packaging: 50 pieces.

Part. S0256



- Best Seller
- Standard
- On request: minimum quantity may apply. Consult our Customer Service for availability.

Item code for order = Part. + Code