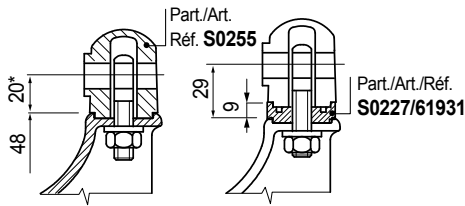
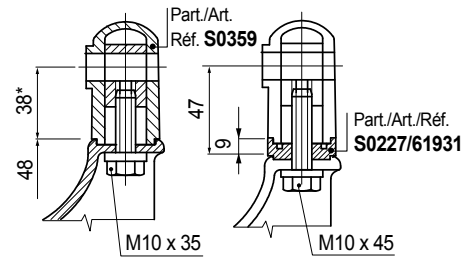


• Assembly with swivel head Part. S0255



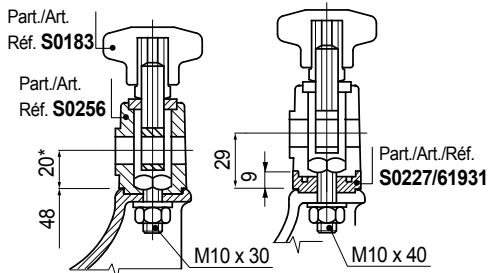
* = To increase the height (by 9 mm) use 1 spacer Part. S0227 code 61931. The length of the thread allows for only 1 spacer.

• Assembly with swivel head Part. S0359



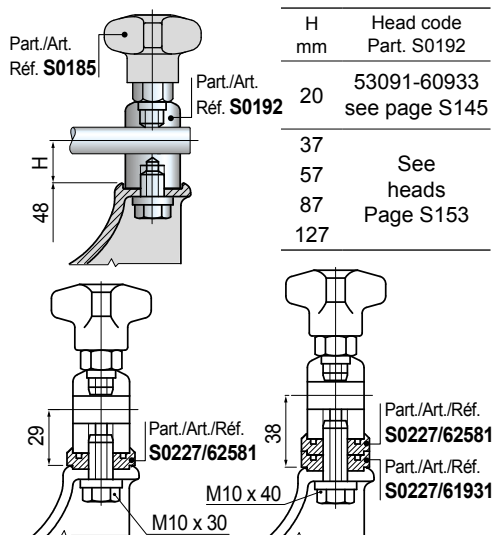
* = To increase the height (by 9 mm) use 1 or more spacer Part. S0227 code 61931. To use the spacer it is necessary a longer screw.

• Assembly with swivel head Part. S0256



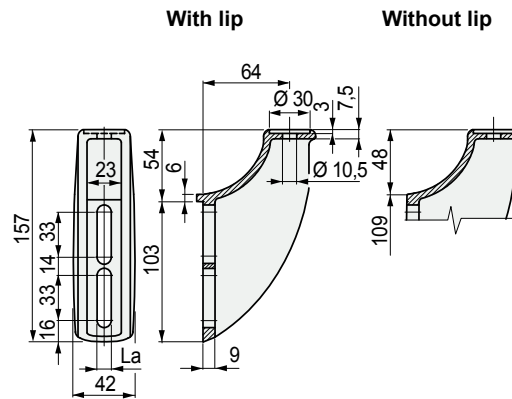
* = To increase the height (by 9 mm) use 1 or more spacer Part. S0227 code 61931. To use the spacer it is necessary a longer screw.

• Assembly with swivel head Part. S0192



To use the spacer Part. S0227, it is necessary a longer screw.

■ Adjustable bracket



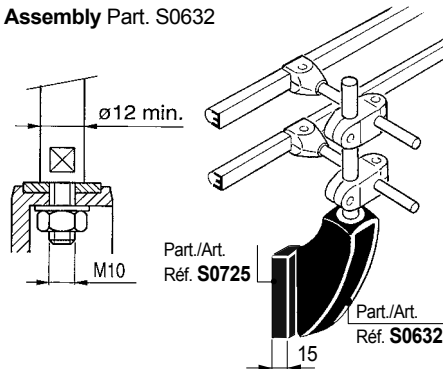
Version	Code		Weight kg
	La = 9	La = 10,5	
With lip	616843	616853	0,21
Without lip	605263	647142	

- Material: reinforced polyamide PA FV (black).
- Packaging: 50 pieces.
- Accessories: spacer Part. S0725.

Part. S0632



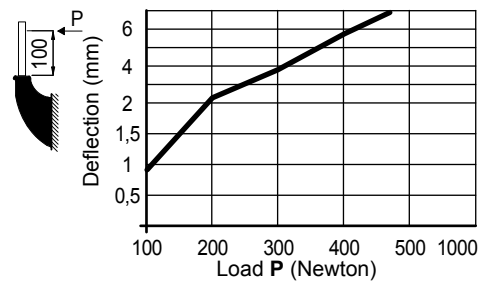
• Assembly Part. S0632



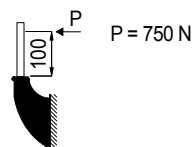
- Part. S0632 permit application of drip tray support Part. S0226 - S0336.

Part./Art./Réf. S0226 - S0336

• Deflection of Part. S0632



• Breaking load P



- Best Seller
- Standard
- On request: minimum quantity may apply. Consult our Customer Service for availability.

Item code for order = Part. + Code