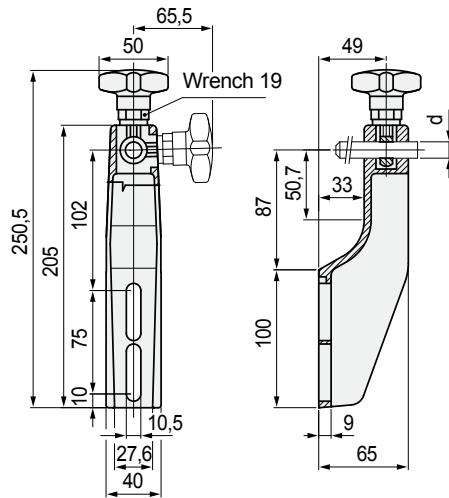


Part. **S0617**



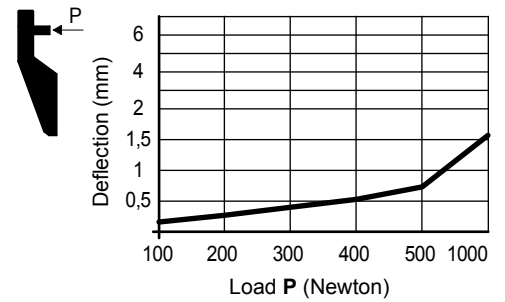
■ Bracket with eyebolt



Material	Pin dia. d mm	Code	Weight kg
Reinforced polyamide PA FV (black))	12	613562	0,18
	16	655602	

- Material: knob in reinforced polyamide (black), exagonal insert (for 19 mm wrench) in nickel plated brass, eyebolt in austenitic stainless steel.
- Max recommended tightening torque: 4 Kgm.
- Packaging: 50 pieces.

• Deflection of Part. S0617



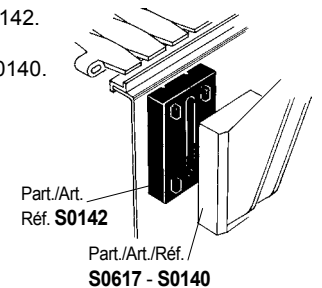
• Technical data Part. S0085

- Sliding load resistance: 2000 N (with d = 12)
- Breaking load: 3000 N

Tests performed at tightening torque: 4 Kgm

• Accessories

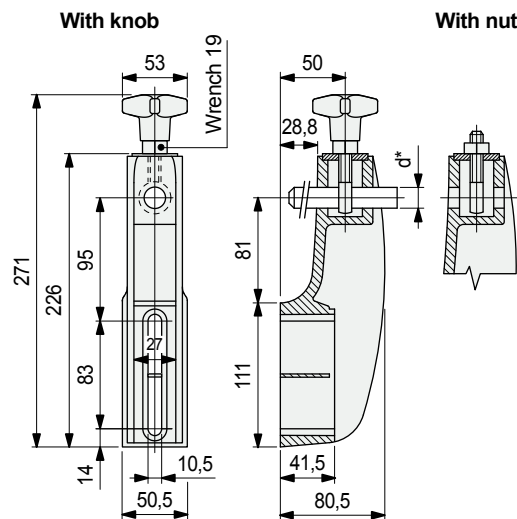
Spacer Part. S0142. Applicable to Part. S0617 - S0140.



Part. **S0140**



■ Bracket with eyebolt

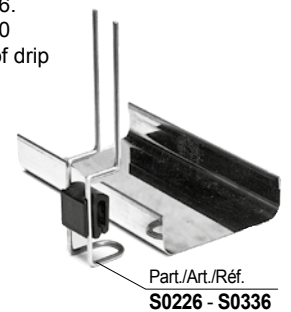


Pin dia. d* mm	Version	Code	Weight kg
14÷16	with knob	66690N	0,47
	with nut	57421N	0,47

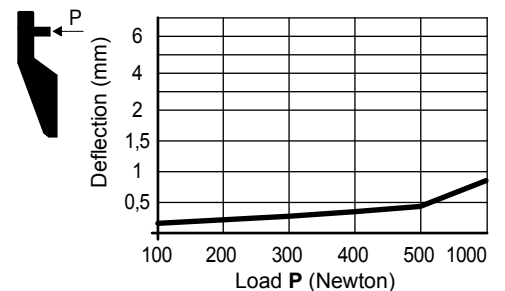
- * = The bracket can be used with dia. 14 and dia. 16 mm pins.
- Material: bracket and knob in reinforced polyamide (black), exagonal insert (for 19 mm wrench) in nickel plated brass, tightening nut and eyebolt in austenitic stainless steel.
- Max recommended tightening torque: 4 Kgm.
- Packaging: 25 pieces.

• Assembly of drip tray support

Part. S0226 - S0336. Part. S0617 - S0140 permit application of drip tray support.



• Deflection of Part. S0140



• Technical data Part. S0140

- Sliding load resistance: 3000 N (with d = 14-16)
- Breaking load: 12000 N

Tests performed at tightening torque: 4 Kgm

- Best Seller
- Standard
- On request: minimum quantity may apply. Consult our Customer Service for availability.

Item code for order = Part. + Code