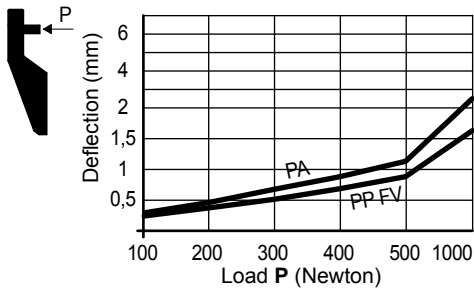
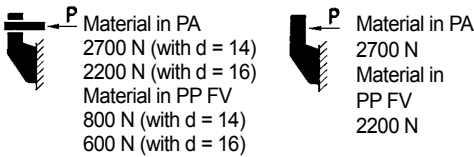


Deflection of Part. S0072 - S0089



Technical data Part. S0072

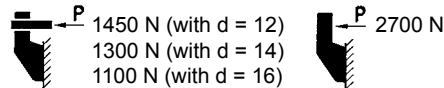
- Sliding load resistance: - Breaking load:



Tests performed at tightening torque: 1 Kgm

Technical data Part. S0089

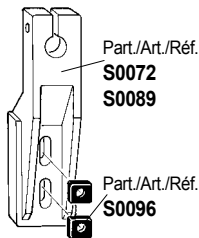
- Sliding load resistance: - Breaking load:



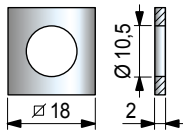
Tests performed at tightening torque: 0,6 Kgm

Accessories

Square washer Part. S0096. Applicable to Part. S0072 - S0089 distributes force from tightening over larger area.

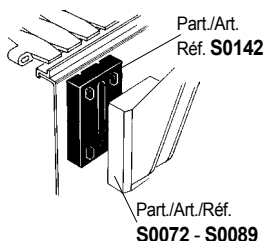


Square washer Part. S009651550. Material: austenitic stainless steel. Packaging: 200 pieces.



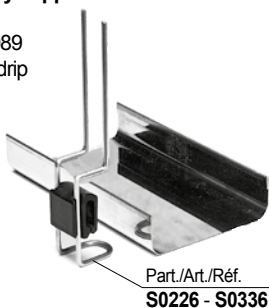
Accessories

Spacer Part. S0142, Applicable to Part. S0072 - S0089.



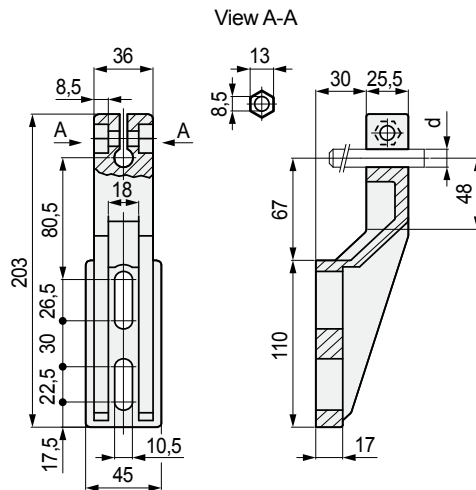
Assembly of drip tray support

Part. S0226 - S0336. Part. S0072 and S0089 permit application of drip tray support.



Part./Art./Réf. S0226 - S0336

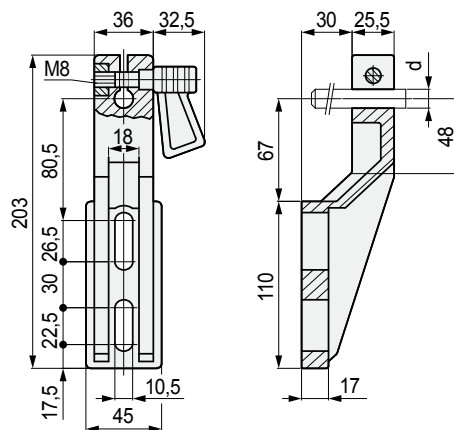
Bracket



Material	Pin dia. d mm	Code	Weight kg
Polyamide PA (black)	14	50790	0,17
	16	50800	
Reinforced polypropylene PP FV (nero)	14	57120	0,17
	16	57130	

- Standard packaging: supplied without tightening bolt.
- Tightening bolt required: bolt M8 x 25 UNI 5931, DIN 912. Nut M8 UNI 5587-68.
- Max recommended tightening torque: 1 Kgm.
- Packaging: 50 pieces.

Bracket with ratchet handle clamping



Material	Pin dia. d mm	Code	Weight kg
Polyamide PA (black)	12	69705	0,22
	14	50750	
	16	50760	

- Standard packaging: supplied without tightening bolt.
- Tightening bolt required: bolt M6 x 25 UNI 5931, DIN 912. Nut M6 UNI 5587-68.
- Max recommended tightening torque: 0,6 Kgm.
- Packaging: 50 pieces.

Part. S0072



Part. S0089



● Best Seller

● Standard

● On request: minimum quantity may apply. Consult our Customer Service for availability.

Item code for order = Part. + Code