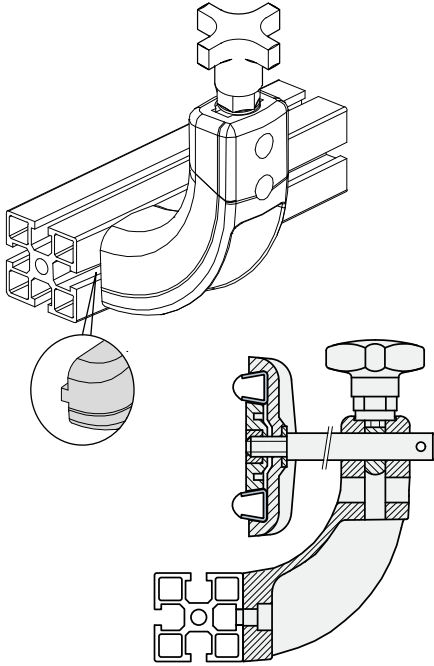


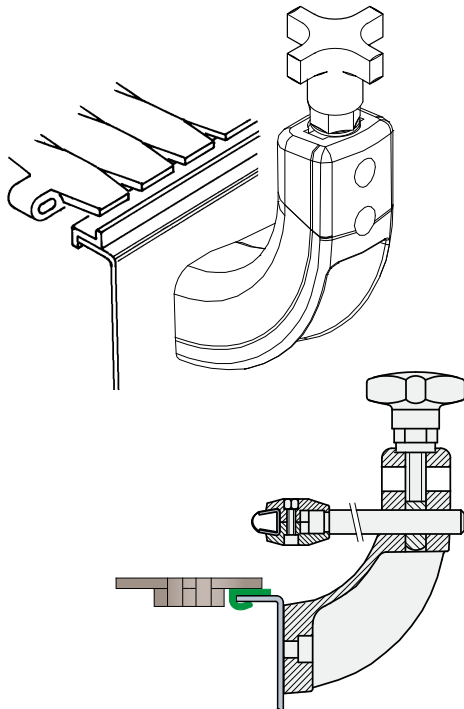
• **Characteristics** of Part. S0708

- Bracket with a reduced structure-connecting size.
- Available with positioning guide for an easy assembly on aluminium sections.
- The two holes allows to position the guide-rail bracket in two different heights depending on specific requirements.

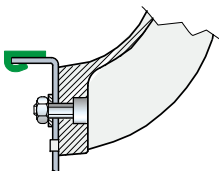
• **Assembly version with positioning guide**



• **Assembly version without positioning guide**

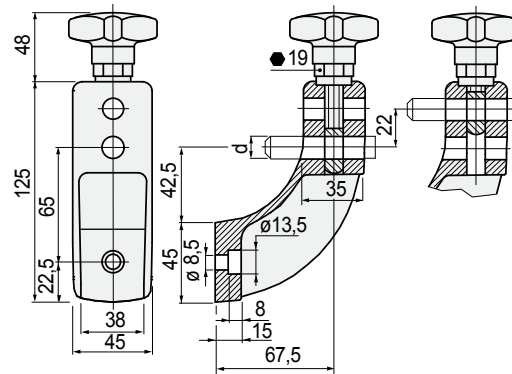


• **Assembly version with centering pin**

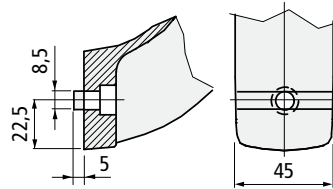


■ **Bracket with two holes**

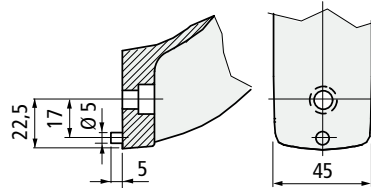
Version without positioning guide



Version with positioning guide



Version with centering pin



Part. S0708



Pin dia.
d
mm

Code

Weight
kg

Version without positioning guide

12	692502	
14	693092	0,23
16	692512	

Version with positioning guide

12	692482	
14	693082	0,23
16	692492	

Version with centering pin

12	605603	
14	605613	0,23
16	605623	

- Material: bracket and knob in reinforced polyamide PA FV (black).
- Hexagonal insert (for 19 mm wrench) in nickel plated brass.
- Eyebolt in austenitic stainless steel.
- Max recommended tightening torque: 4 Kgm.
- Packaging: 50 pieces.

Best Seller

Standard

On request: minimum quantity may apply. Consult our Customer Service for availability.

Item code for order = Part. + Code