

Guide - Rail Clamps for

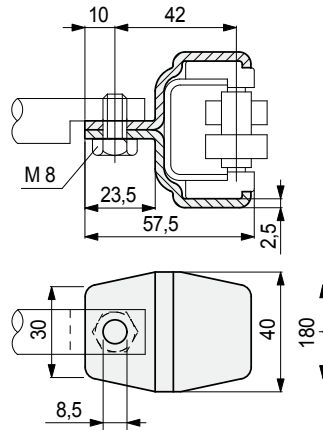
- Part. S0128S
- Part. S0128



Part. S0373



■ Guide-rail clamp



Material	Code	Weight kg
Austenitic stainless steel	63506	0,11
Zinc plated steel	64156	

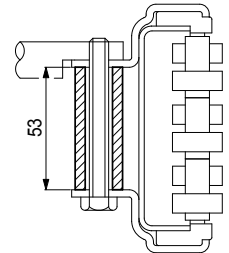
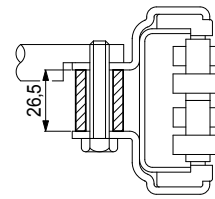
- Packaging: 50 pieces.
- Suitable to use in curves also.

• Assembly of Part. S0373

For the use of double and triple execution rails it is necessary a spacer.

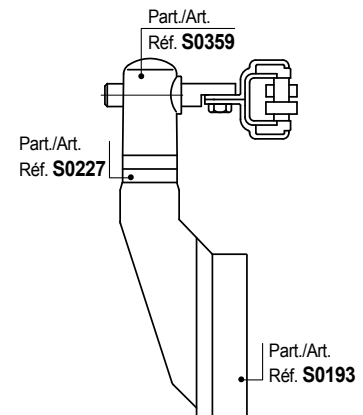
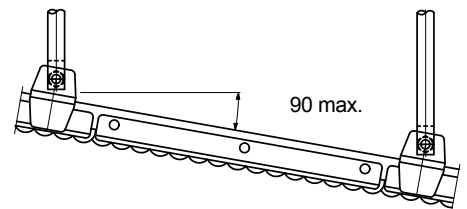
Spacer for double execution guide rail

Spacer for triple execution guide rail



Spacer not included

The clamp allow the guide to be mounted at an angle



- Best Seller
- Standard
- On request: minimum quantity may apply. Consult our Customer Service for availability.

Item code for order = Part. + Code