

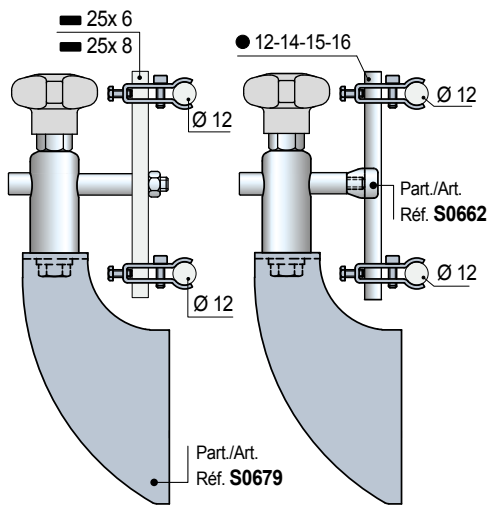
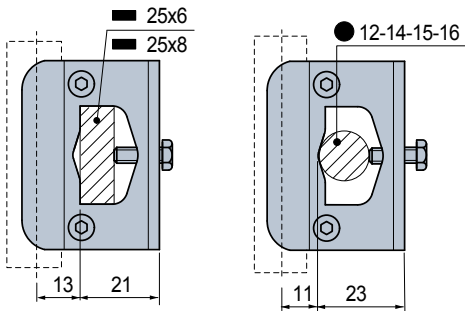
Guide - Rail Clamps

for round steel Rods

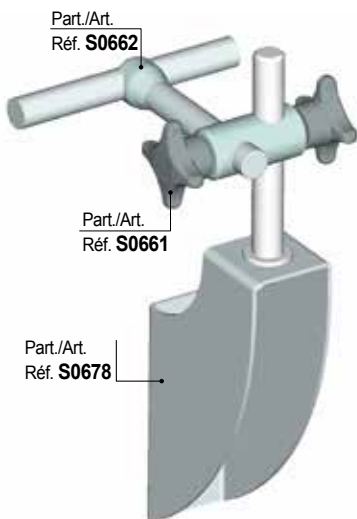
• Assembly of Part. S0698

Fixing on plates

Fixing on rods

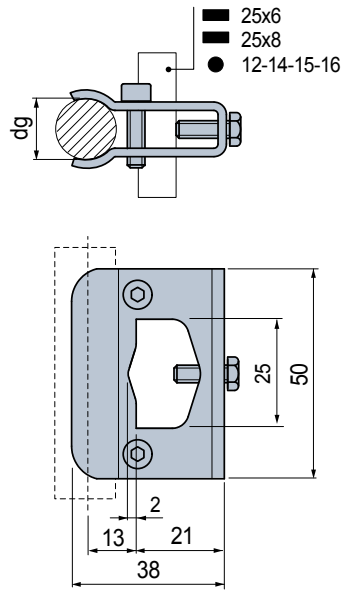


• Assembly of Part. S0662



■ Guide-rail clamp

With two fixing screws



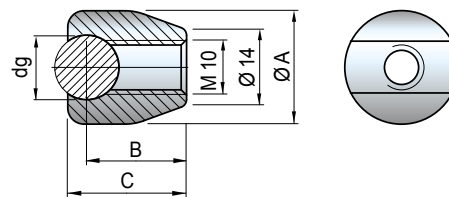
Guide dia. d mm	Code	Weight kg
12	689202	0,10

- Material: clamp and bolt in austenitic stainless steel.
- Packaging: 16 pieces.

Part. **S0698**



■ Guide-rail clamp



Guide dia. dg mm	Code	dia. A mm	B mm	C mm	Weight kg
10	669542	20	17,5	20	0,03
12	669552	21	18,5	22	
14	669562	23	19,5	24	

- Material: austenitic stainless steel.
- Packaging: 50 pieces.

Part. **S0662**



- Best Seller
- Standard
- On request: minimum quantity may apply. Consult our Customer Service for availability.

Item code for order = Part. + Code