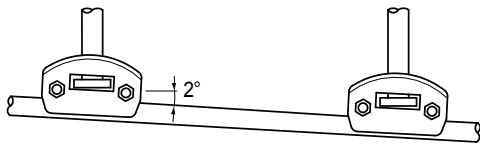


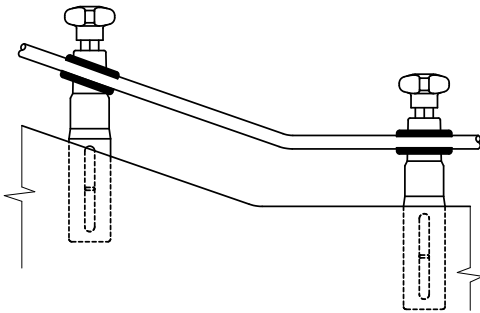
for round steel Rods

• **Assembly of Part. S0478**

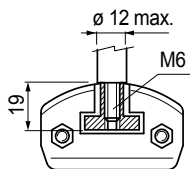
It is possible an inclination of 2° of the guide rail.



Recommended for inclined conveyors (with any angle).

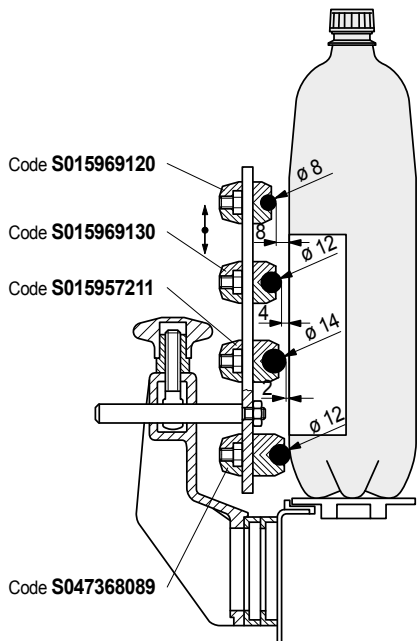


• **Pin dimensions for Part. S0478**

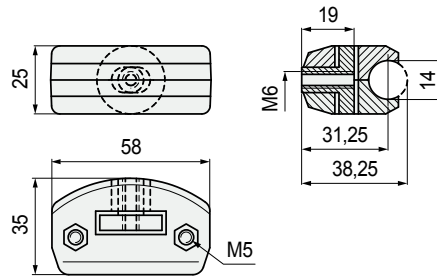


• **Assembly of Part. S0159 - S0437**

PET bottle movement (subject to swelling).



■ **Pivoting guide-rail clamp**



Part. S0478

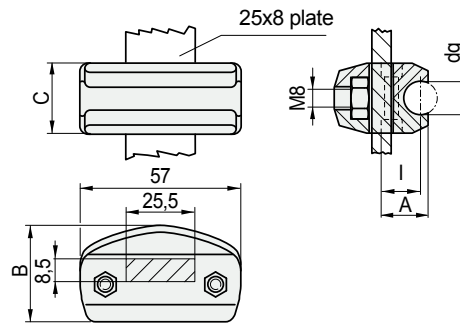


Pivoting

Code	Weight kg
670151	0,06

- Material: guide rail clamp in reinforced polyamide PA FV (black). Insert in brass. Bolts in austenitic stainless steel. Nuts in nickel plated brass.
- Packaging: 50 pieces.

■ **Adjustable guide-rail clamp**



Part. S0159

Part. S0437

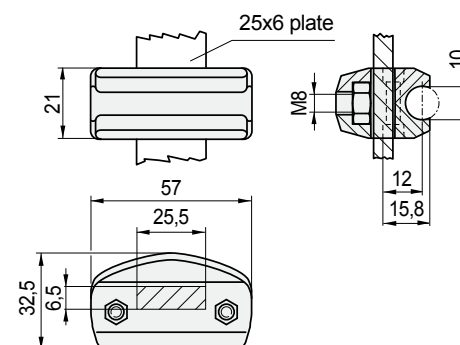


For 25 x 8 plates

Guide dia. dg mm	l mm	A mm	B mm	C mm	Code	Weight kg
8	12	15,5	32,5	21	S015969120	
10	12	15,8	32,5	21	S0159622381	
12	14	17,8	35	25	S015969130	0,05
14	15	19,5	35	25	S015957211	
12	18	22	41	25	S043768089	

- Material: guide rail clamp in reinforced polyamide PA FV (black). Bolts in austenitic stainless steel. Nuts in nickel plated brass.
- Packaging: 50 pieces.

■ **Adjustable guide-rail clamp**



Part. S0451



Per piatti 25 x 6

Code	Weight kg
63389	0,05

- Material: guide rail clamps in reinforced polyamide PA FV (black). Bolt in austenitic stainless steel. Nut in nickel plated brass.
- Packaging: 50 pieces.

● Best Seller

● Standard

● On request: minimum quantity may apply. Consult our Customer Service for availability.

Item code for order = Part. + Code