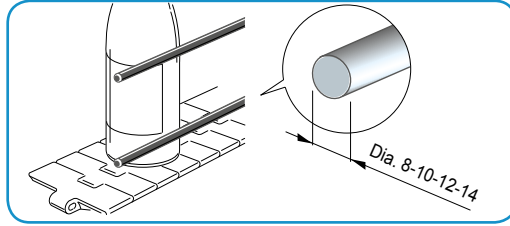


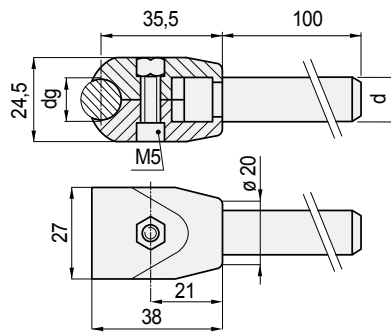
Guide - Rail Clamps for
• Round steel rods



Part. S0082P



■ Guide-rail clamp



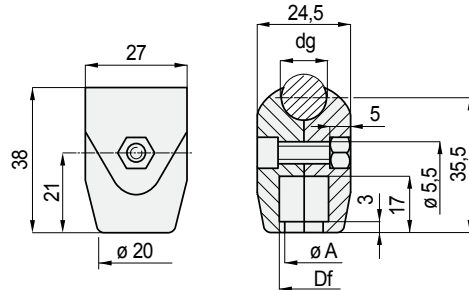
pin dia. d mm	Guide dia. dg mm	Code	Weight kg
	10	6827820	
12	12	6184910	0,12
	14	6185010	
14	10	6827920	0,15
	12	6185110	
	14	6185210	

- Material: guide rail clamps in reinforced polyamide PA FV (black).
Pin in austenitic stainless steel.
Bolt in austenitic stainless steel. Nut in nickel plated brass.
- Packaging: 50 pieces.

Part. S0082
Part. S0082B



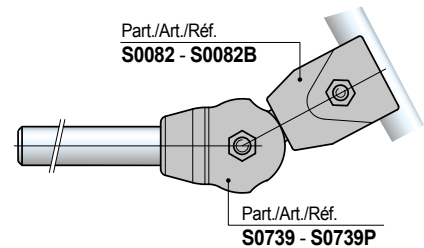
■ Guide-rail clamp



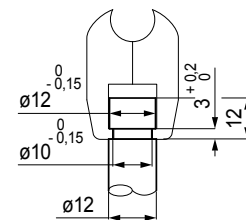
Use	Guide dia. dg mm	Code	Bore dia. Df mm	dia. A mm	Weight kg
Without tightening bolt					
	10	S0082682742			
for pins dia.12	12	S008266861	12	10	
	14	S008266871			0,01
for pins dia.14	10	S0082682752			
	12	S008250930	13,5	11,5	
	14	S008250940			
With tightening bolt					
	10	S0082B6827620			
for pins dia.12	12	S0082B6683800	12	10	
	14	S0082B6684800			0,01
for pins dia.14	10	S0082B6827720			
	12	S0082B6072510	13,5	11,5	
	14	S0082B6072610			

- Material: guide rail clamps in reinforced polyamide PA FV (black).
Bolt in austenitic stainless steel. Nut in nickel plated brass.
- Packaging: 100 pieces.
- Accessories: swivel pin connection Part. S0739 - S0739P.

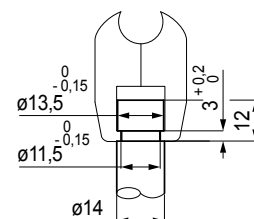
• **Swivel pin connection** Part. S0739 - S0739P
Use for conveyors with (format change).
They allow an easy regulation of product-guides on corner tracks.
See page S112.



• Pin dimensions for Part. S0082 - S0082B
Pin dia. 12 mm



Pin dia. 12 mm



● Best Seller

● Standard

● On request: minimum quantity may apply.
Consult our Customer Service for availability.

Item code for order = Part. + Code