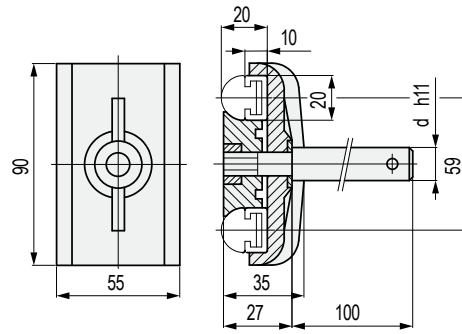


for Part. S0247

## Double guide-rail clamp



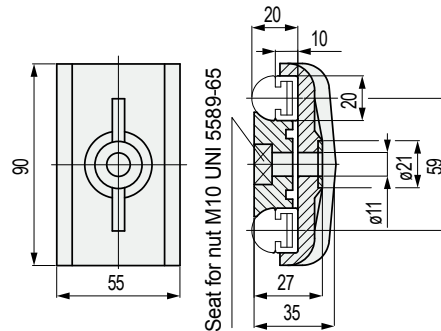
| Pin dia.<br>d<br>mm | Code  | Weight<br>kg |
|---------------------|-------|--------------|
| 12                  | 51590 | 0,20         |
| 14                  | 51600 | 0,23         |
| 16                  | 55010 | 0,26         |

- Material: guide rail clamp in reinforced polyamide PA FV (black). Pin in austenitic stainless steel. Washer in austenitic stainless steel. Nut in nickel plated brass.
- Packaging: 50 pieces.

## Part. S0116



## Double guide-rail clamp



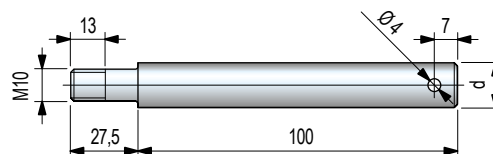
| Code  | Weight<br>kg |
|-------|--------------|
| 51580 | 0,08         |

- Material: guide rail clamp in reinforced polyamide PA FV (black). Washer in austenitic stainless steel.
- State of supply: supplied without tightening nut.
- Packaging: 50 pieces

## Part. S0111



## Rod for Part. S0116



| Pin dia.<br>d<br>mm | Code  | Weight<br>kg |
|---------------------|-------|--------------|
| 12                  | 65784 | 0,11         |
| 14                  | 66774 | 0,15         |
| 16                  | 66784 | 0,20         |

- Material: austenitic stainless steel.
- Packaging: 50 pieces.

## Part. S0000



- Best Seller
- Standard
- On request: minimum quantity may apply. Consult our Customer Service for availability.

Item code for order = Part. + Code