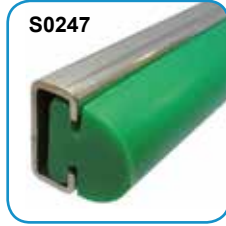


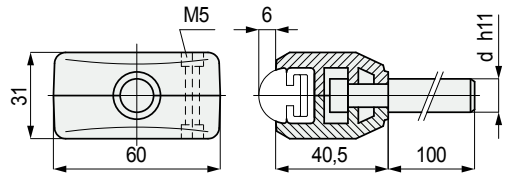
Guide - Rail Clamps for  
• Part. S0247



Part. S0236



■ Guide-rail clamp



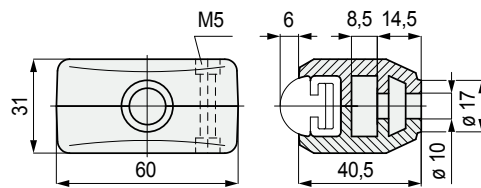
Pin dia. d mm	Code	Weight kg
12	63931	0,13
14	63941	0,18
16	63951	0,23

- Material: guide rail clamps in reinforced polyamide PA FV (black). Pin in austenitic stainless steel. Bolts in austenitic stainless steel. Nuts in nickel plated brass.
- Packaging: 50 pieces.

Part. S0236



■ Guide-rail clamp



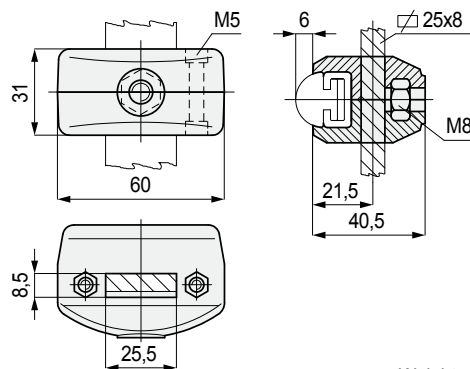
Code	Weight kg
63141	0,06

- Material: guide rail clamps in reinforced polyamide PA FV (black). Bolts in austenitic stainless steel. Nuts in nickel plated brass.
- Packaging: 50 pieces.

Part. S0237



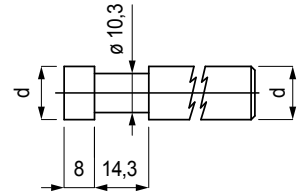
■ Adjustable guide-rail clamp



Code	Weight kg
63151	0,06

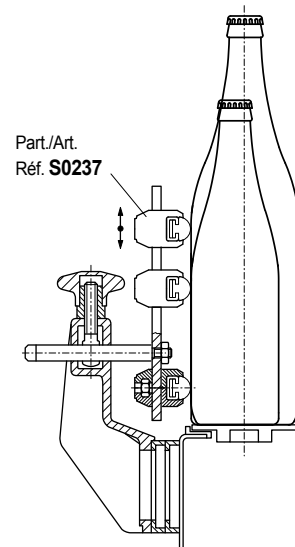
- Material: guide rail clamp in reinforced polyamide PA FV (black). Bolts in austenitic stainless steel. Nuts in nickel plated brass.
- Packaging: 50 pieces.

• Pin dimensions for Part. S0236



• Assembly of Part. S0237

Unlimited height adjustment possible



● Best Seller

● Standard

● On request: minimum quantity may apply. Consult our Customer Service for availability.

Item code for order = Part. + Code