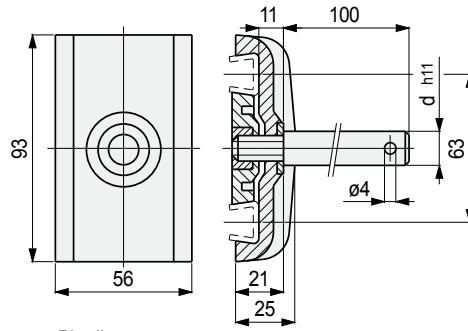


for Part. S0223 - S0317 - S0219 - S0273 - S0393 - S0596 - S0308 - S0715 - S0765 - S0767 - S0768 - S0769 - S0770

**Part. S0213**

■ Double guide rail clamp



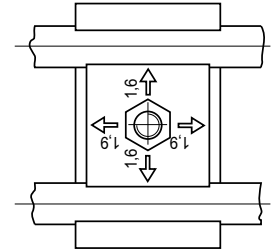
Pin dia. d mm	Code	Weight kg
12	60091	0,19
14	60181	0,22
16	60191	0,25

- Material: guide rail clamp in reinforced polyamide PA FV (black).
- Pin in austenitic stainless steel.
- Washer in austenitic stainless steel.
- Nut in nickel plated brass.
- Packaging: 50 pieces.

• Assembly of Part. S0213

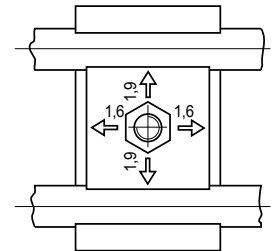
The plate inside the clamp must be positioned to suit the thickness of the guide.

Position of plate for assembly of guides of thickness  $s = 1,5$ .



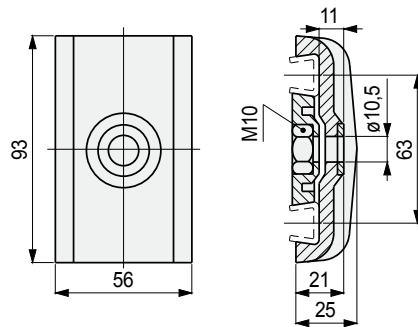
Position of plate for assembly of guides of thickness  $s = 2$ .

The plate is turned through 90°.



**Part. S0213**

■ Double guide rail clamp

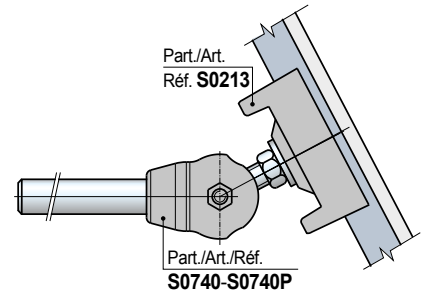


Code	Weight kg
60101	0,08

- Material: guide rail clamp in reinforced polyamide PA FV (black).
- Washer in austenitic stainless steel.
- Nut in nickel plated brass.
- Packaging: 50 pieces.
- Accessories: swivel pin connection Part. S0749 - S0740P.

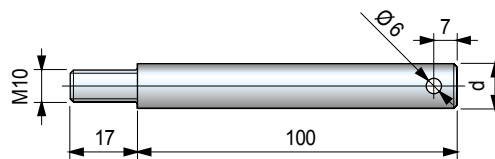
• Swivel pin connection Part. S0740 - S0740P

Use for conveyors with (format change). They avoid an easy regulation of product-guides on corner tracks. See page S112.



**Part. S0000**

■ Rod for Part. S0213



Pin dia. d mm	Code	Weight kg
12	65794	0,11
14	66004	0,14
16	66654	0,18

- Material: austenitic stainless steel.
- Packaging: 50 pieces.

● Best Seller

● Standard

● On request: minimum quantity may apply. Consult our Customer Service for availability.

Item code for order = Part. + Code