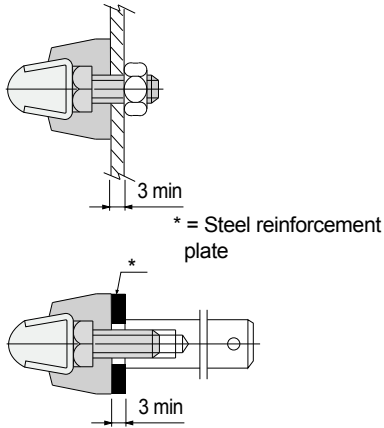
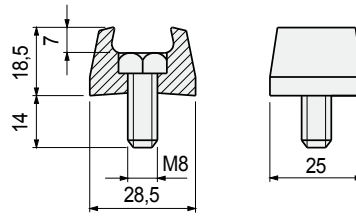


for Part. S0223 - S0317 - S0219 - S0273 - S0393 - S0596 - S0308 - S0715 - S0765 - S0767 - S0768 - S0769 - S0770

• Assembly of Part. S0275



■ Guide rail clamp



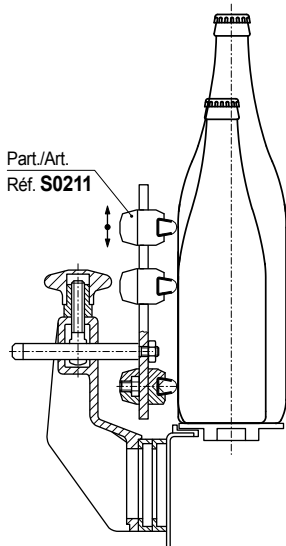
Part. **S0275**



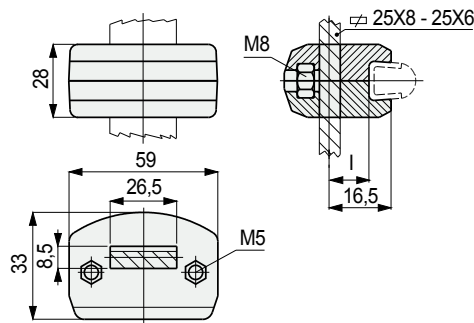
Code	Weight kg
66811	0,02

- Material: guide rail clamps in acetal POM (Black), bolt in austenitic stainless steel.
- Packaging: 100 pieces.

• Assembly of Part. S0211
Unlimited height adjustment possible



■ Adjustable guide rail clamp



Part. **S0211**

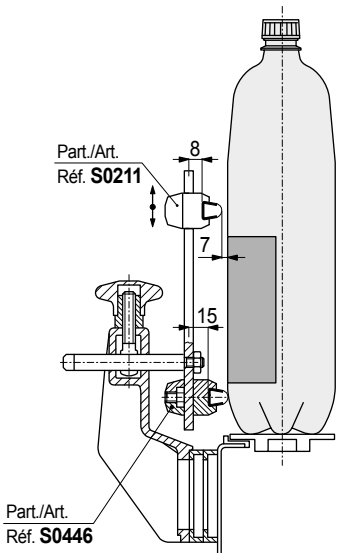


Distance I = 8 mm

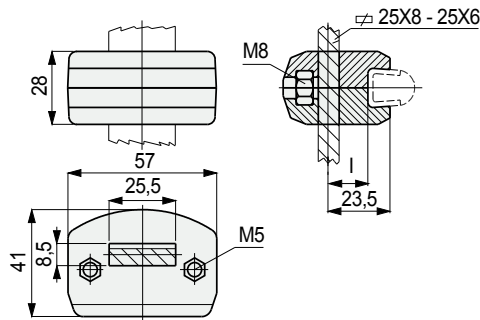
I mm	Code	Weight kg
8	59961	0,05

- Material: guide rail clamps in reinforced polyamide PA FV (black). Bolt in austenitic stainless steel. Nut in nickel plated brass.
- Packaging: 100 pieces.

• Assembly of Part. S0211- S0446
PET bottle movement (subject to swelling)



■ Adjustable guide rail clamp



Part. **S0446**



Distance I = 15 mm

I mm	Code	Weight kg
15	607651	0,05

- Material: guide rail clamps in reinforced polyamide PA FV (black). Bolt in austenitic stainless steel. Nut in nickel plated brass.
- Packaging: 50 pieces.

● Best Seller

● Standard

● On request: minimum quantity may apply. Consult our Customer Service for availability.

Item code for order = Part. + Code