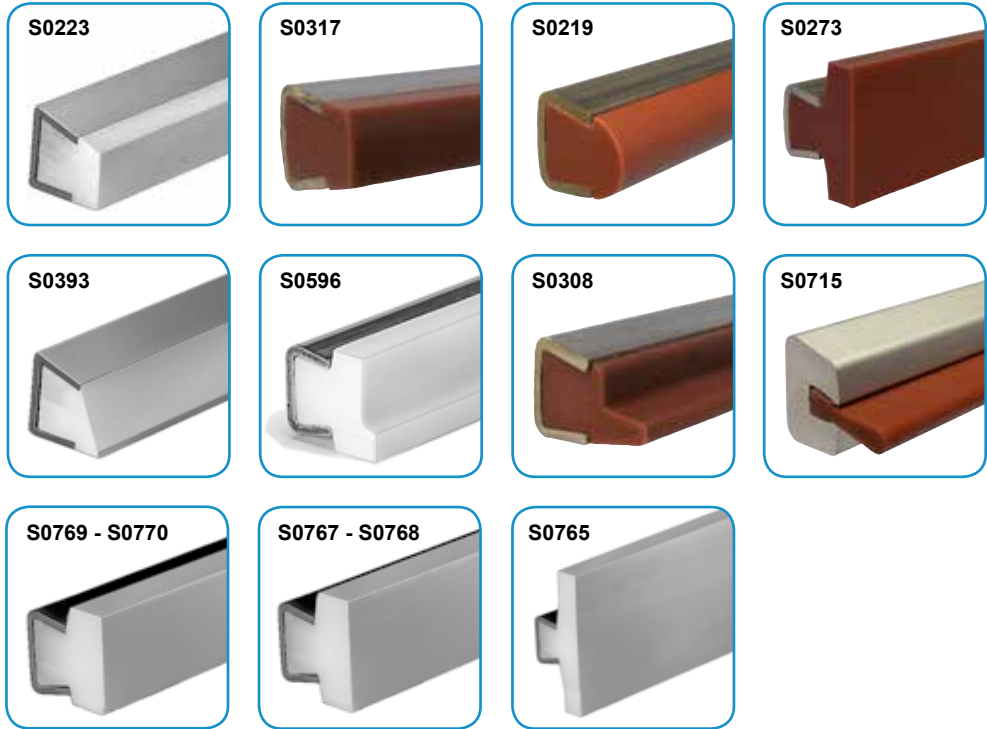


**Guide - Rail Clamps for**

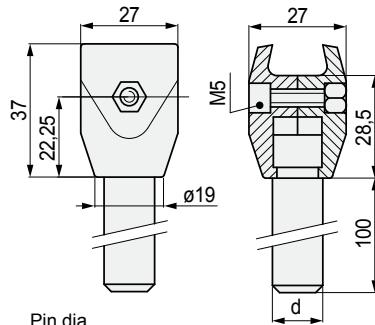
- Part. S0223
- Part. S0317
- Part. S0219
- Part. S0273
- Part. S0393
- Part. S0596
- Part. S0308
- Part. S0715
- Part. S0765
- Part. S0767
- Part. S0768
- Part. S0769
- Part. S0770



**Part. S0210P**



■ Guide rail clamp



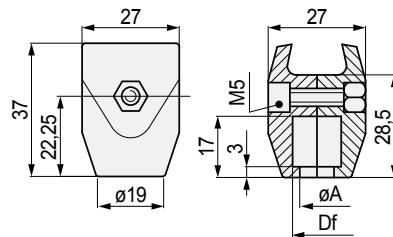
Pin dia. d mm	Code	Weight kg
12	6203910	0,12
14	6185510	0,15

- Material: guide rail clamps in reinforced polyamide PA FV (black). Pin in austenitic stainless steel. Bolt in austenitic stainless steel. Nut in nickel plated brass.
- Packaging: 50 pieces.

**Part. S0210**



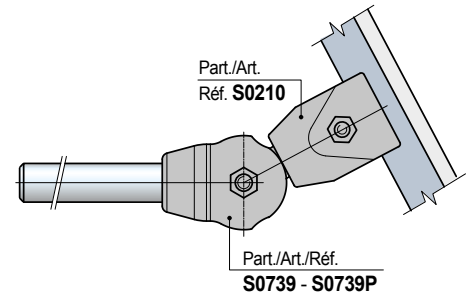
■ Guide rail clamp



Use	Bore dia. Df mm	Ø A mm	Code	Weight kg
for pins dia. 12	12	10	600372	0,02
for pins dia. 14	13,5	11,5	59941	

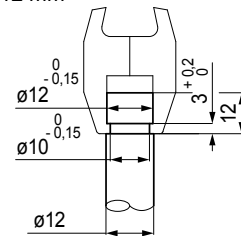
- Material: guide rail clamps in reinforced polyamide PA FV (black). Bolt in austenitic stainless steel. Nut in nickel plated brass.
- Packaging: 100 pieces.
- Accessories: swivel pin connection Part. S0739 - S0739P.

- Swivel pin connection Part. S0739 - S0739P  
Use for conveyors with (format change).  
They allow an easy regulation of product-guides on corner tracks.

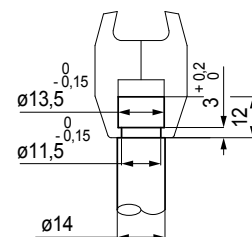


• Pin dimensions for Part. S0210

Pin dia. 12 mm



Pin dia. 14 mm



● Best Seller

● Standard

● On request: minimum quantity may apply. Consult our Customer Service for availability.

Item code for order = Part. + Code