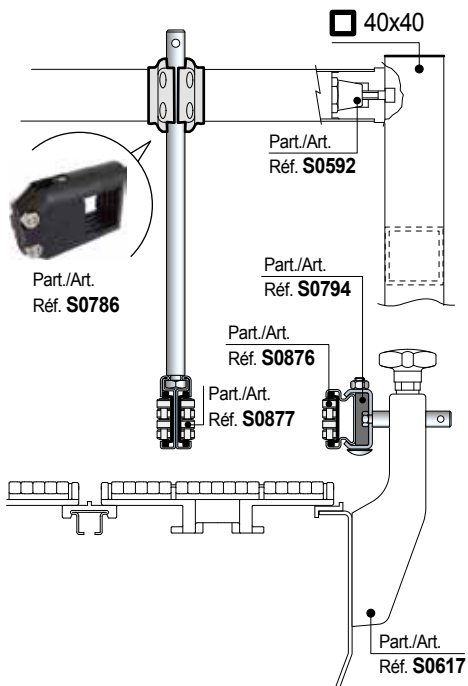
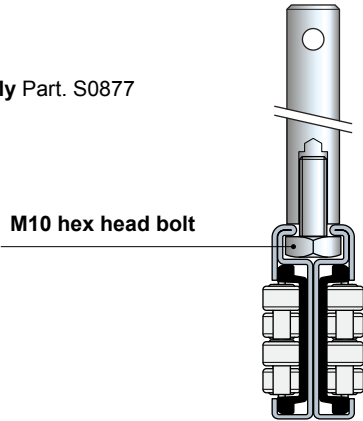


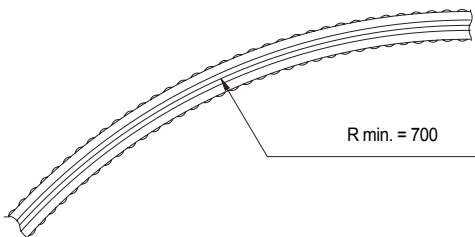
• **Characteristics** Part. S0877

- Self supporting structure.
- Metal Profile in Austenitic stainless steel.
- Quick and easy installation by standard bolts.
- Can be used straight running and sideflexing.

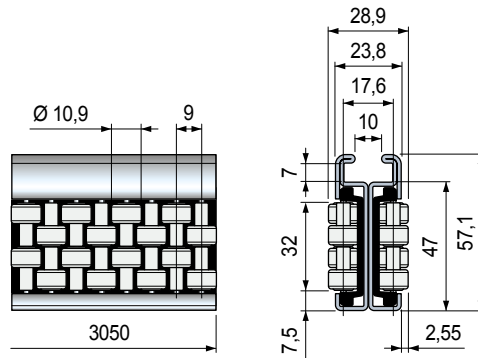
• **Assembly** Part. S0877



• **Min. curvature radius** Part. S0877



■ **Roller centre guides**

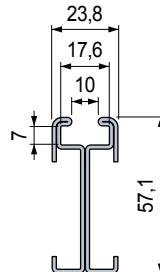


| Rollers material | Code | Weight kg |
|--------------------|---------------|-----------|
| Acetal POM (white) | 649403 | 3,08 |

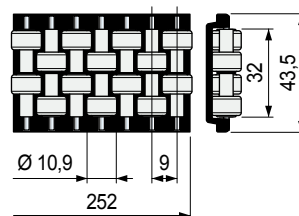
- Material: metal profile in Austenitic stainless steel, rollers module in acetal POM (black), roller pins in stainless steel.
- Standard packaging: strands 3,05 metres.
- Packaging: 2 strands.

The roller side guides can be supplied with separated components.

Metal profile



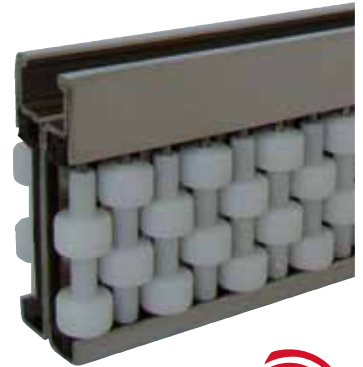
Roller module



| Length mm | Code | Rollers material | Code |
|-----------|---------------|--------------------|---------------|
| 3050 | 649433 | Acetal POM (white) | 644673 |

- Material: Austenitic stainless steel.
- Weight: 2,35 Kg/m.
- Packaging: 1 strand.

Part. S0877



- Best Seller
- Standard
- On request: minimum quantity may apply. Consult our Customer Service for availability.

Item code for order = Part. + Code