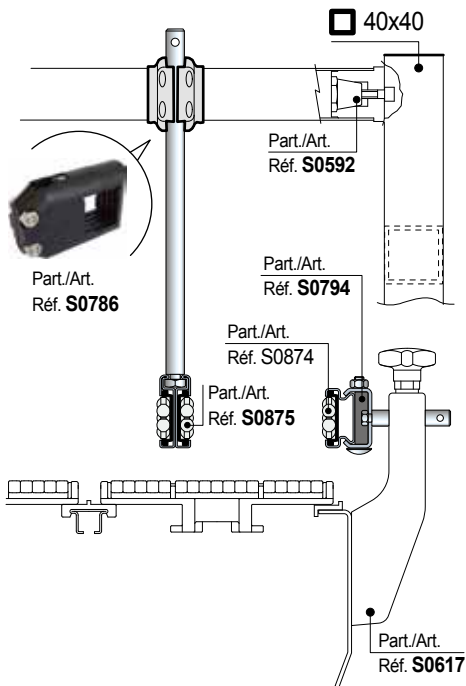
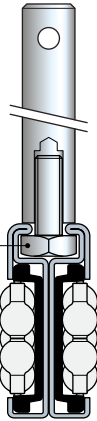


• **Characteristics** Part. S0875

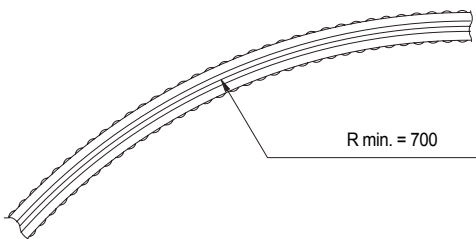
- Self supporting structure.
- Metal Profile in Austenitic stainless steel.
- Quick and easy installation by standard bolts.
- Can be used straight running and sidelifing.

• **Assembly** Part. S0875

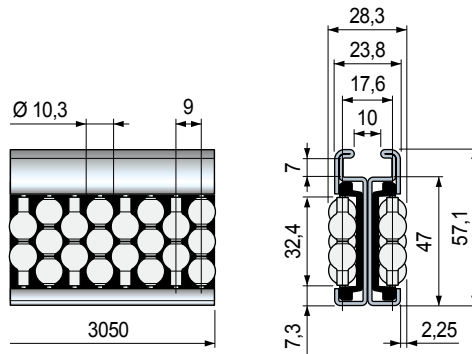
M10 hex head bolt



• **Min. curvature radius** Part. S0875



■ **Pearls roller centre guide**



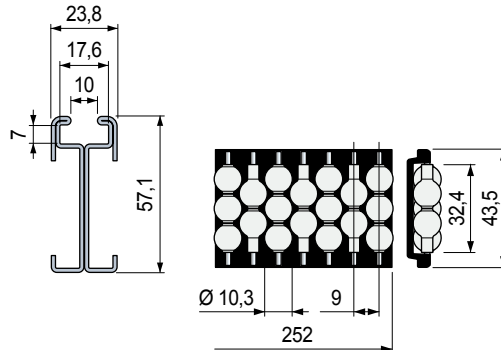
| Pearl material | Code | Weight kg |
|-----------------------------|---------------|-----------|
| Polyethylene PE (Aubergine) | 649373 | 3,02 |
| Polyethylene PE (white) | 649383 | |

- Material: metal profile in Austenitic stainless steel, rollers module in acetal POM (black), roller pins in stainless steel.
- Standard packaging: strands 3,05 metres.
- Packaging: 2 strands.

The roller side guides can be supplied with separated components.

Metal profile

Pearls module



| Length mm | Code | Materiale Perle™ | Code |
|-----------|---------------|-----------------------------|---------------|
| 3050 | 649433 | Polyethylene PE (Aubergine) | 644653 |
| | | Polyethylene PE (white) | 644633 |

- Material: Austenitic stainless steel.
- Weight: 2,35 Kg/m.
- Packaging: 1 strand.

Part. S0875



● Best Seller

● Standard

● On request: minimum quantity may apply. Consult our Customer Service for availability.

Item code for order = Part. + Code