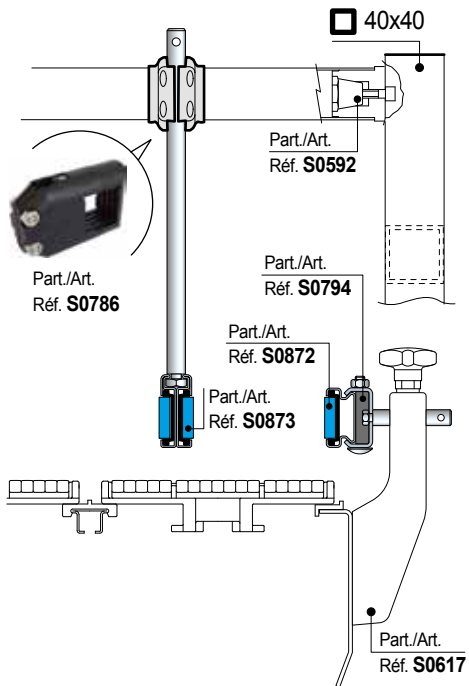
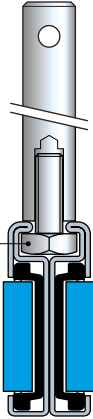


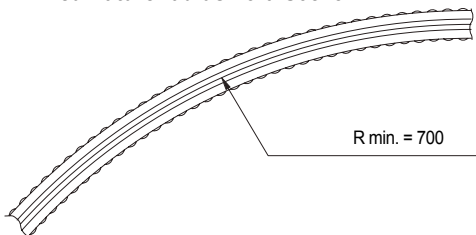
- **Characteristics** Part. S0873
 - Self supporting structure.
 - Metal Profile in Austenitic stainless steel.
 - Quick and easy installation by standard bolts.
 - Can be used straight running and sideliflexing.

• **Assembly** Part. S0873

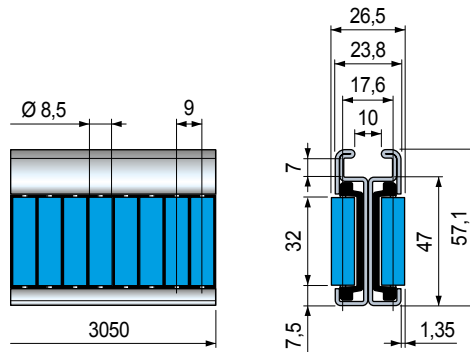
M10 hex head bolt



• **Min. curvature radius** Part. S0873



■ **Centre guide with cylinder rollers**



Cylinder rollers material

Code

Weight kg

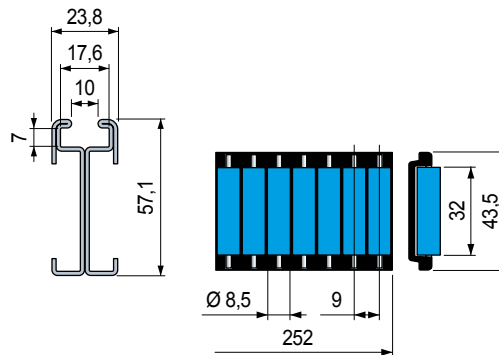
SEBS Rubber (Blue)	649343	3,10
--------------------	---------------	------

- Material: metal profile in Austenitic stainless steel, rollers module in acetal POM (black), roller pins in stainless steel.
- Standard packaging: strands 3,05 metres.
- Packaging: 2 strands.

The roller side guides can be supplied with separated components.

Metal profile

Cylinder roller module



Length mm

Code

Cylinder rollers material

Code

3050	649433	SEBS Rubber (Blue)	646523
------	---------------	--------------------	---------------

- Material: Austenitic stainless steel.
- Weight: 2,35 Kg/m.
- Packaging: 1 strand.

Part. S0873



● Best Seller

● Standard

● On request: minimum quantity may apply. Consult our Customer Service for availability.

Item code for order = Part. + Code