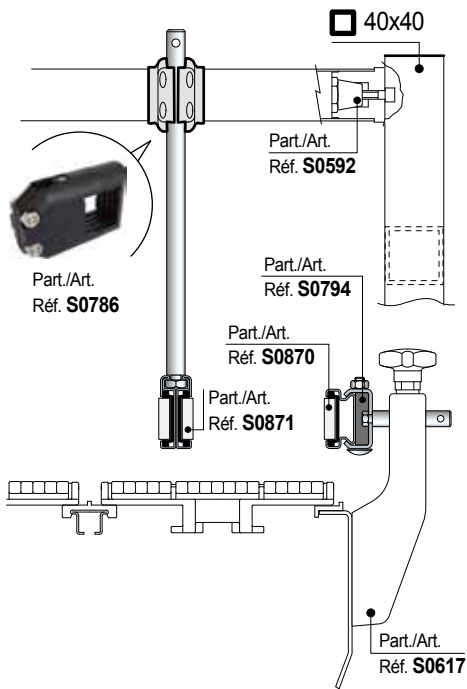
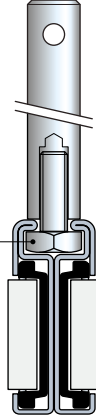


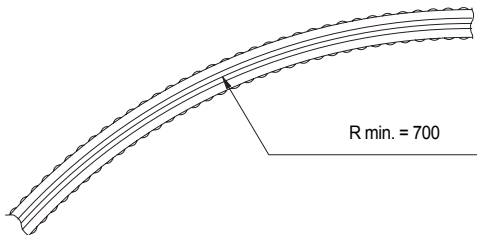
- **Characteristics** Part. S0871
  - Self supporting structure.
  - Metal Profile in Austenitic stainless steel.
  - Quick and easy installation by standard bolts.
  - Can be used straight running and sideliflexing.

• **Assembly** Part. S0871

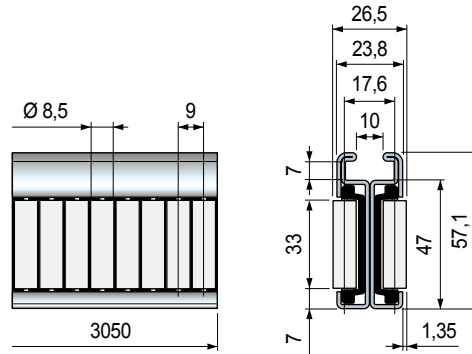
M10 hex head bolt



• **Min. curvature radius** Part. S0871



■ **Centre guide with cylinder rollers**



Cylinder rollers material

**Code**

Weight kg

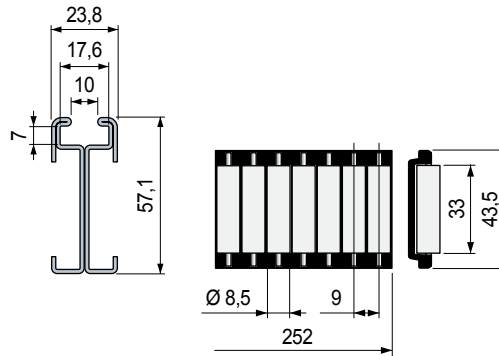
Polyethylene PE (white)	<b>649323</b>	3,10
-------------------------	---------------	------

- Material: metal profile in Austenitic stainless steel, rollers module in acetal POM (black), roller pins in stainless steel.
- Standard packaging: strands 3,05 metres.
- Packaging: 2 strands.

The roller side guides can be supplied with separated components.

**Metal profile**

**Cylinder roller module**



Length mm

**Code**

Cylinder rollers material

**Code**

3050	<b>649433</b>
------	---------------

Polyethylene PE (white)	<b>644613</b>
-------------------------	---------------

- Material: Austenitic stainless steel.
- Weight: 2,35 Kg/m.
- Packaging: 1 strand.

## Part. S0871



● **Best Seller**

● **Standard**

● **On request:** minimum quantity may apply. Consult our Customer Service for availability.

Item code for order = Part. + Code