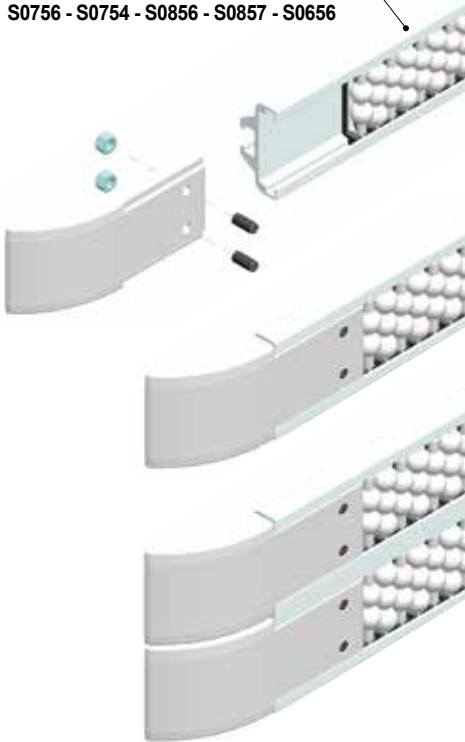
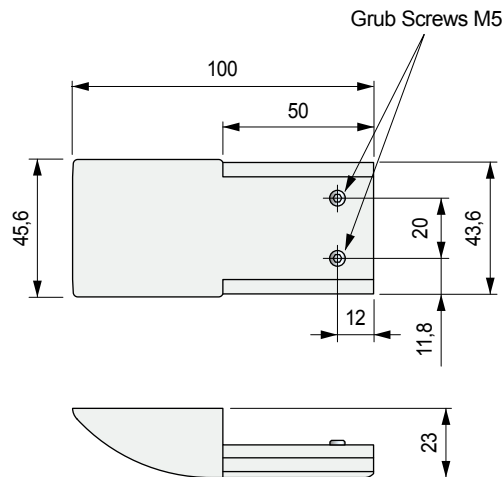


• Assembly Part. S0852

Part./Art./Réf. **S0757 - S0755 - S0868 - S0869**
S0756 - S0754 - S0856 - S0857 - S0656



■ Side separation block



Code	Weight kg
646633	0,05

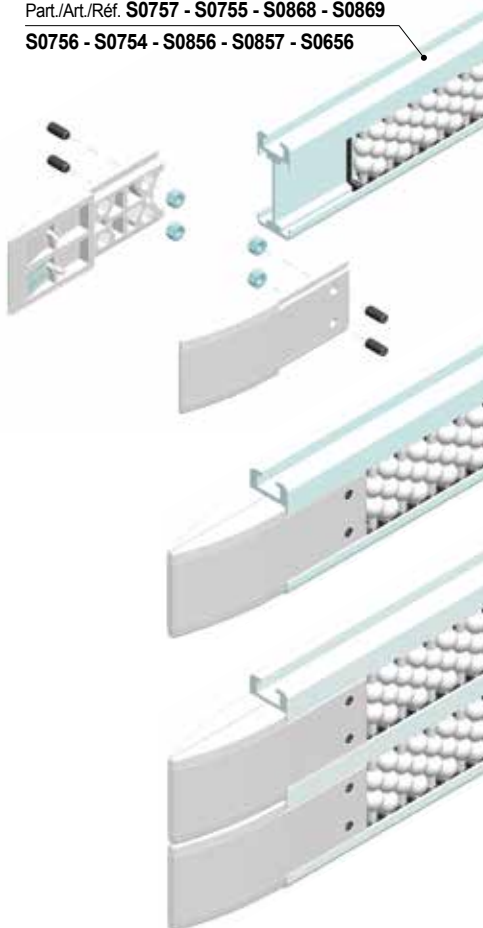
- Material: separation block in Acetal POM (white), nuts in nickel plated brass, grub screws in stainless steel.
- Packaging: 4 pieces.

Part. S0852

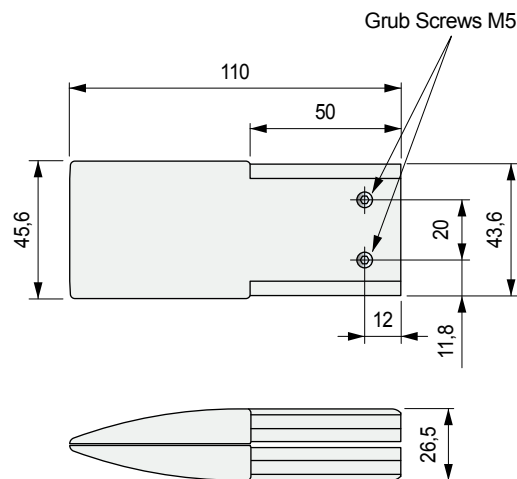


• Assembly Part. S0854

Part./Art./Réf. **S0757 - S0755 - S0868 - S0869**
S0756 - S0754 - S0856 - S0857 - S0656



■ Centre separation block



Code	Weight kg
646643	0,09

- Material: separation block in Acetal POM (white), nuts in nickel plated brass, grub screws in stainless steel.
- Packaging: 4 pairs.

Part. S0854



- Best Seller
- Standard
- On request: minimum quantity may apply. Consult our Customer Service for availability.

Item code for order = Part. + Code